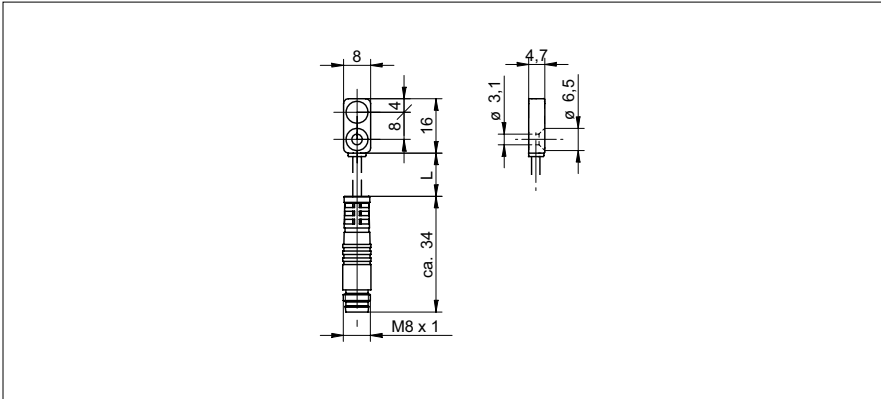


# Inductive distance measuring sensors

## IF08.D02S-F16.UA1Z.7WLV

### dimension drawing



### general data

mounting type	flush
measuring distance Sd	0 ... 2 mm
resolution	< 0,001 mm (stat.) < 0,005 mm (dynam.)
repeat accuracy	< 0,02 mm
linearity error	± 120 µm
temperature drift	± 5 % (Full Scale)

### electrical data

response time (factory characteristic)	< 1 ms
voltage supply range +Vs	12 ... 30 VDC
current consumption max. (no load)	8 mA
output circuit	voltage output
output signal	0 ... 10 VDC
load resistance	> 4000 Ohm
short circuit protection	yes
reverse polarity protection	yes

### mechanical data

type	rectangular
housing material	die-cast zinc nickel plated
dimension	8 mm
housing length	16 mm
connection types	flylead connector PVC M8, L=200 mm

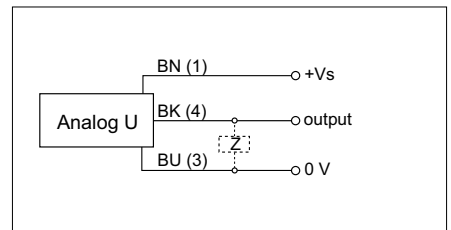
### ambient conditions

operating temperature	10 ... +60 °C
protection class	IP 67

### photo



### connection diagram



- extra flat housing
- through bore for M3 screw
- standard cable length 200 mm (L)