

Incremental encoders

Solid shaft $\varnothing 11$ mm with EURO flange

5...60 pulses per revolution

ITD 4 B10 Y 4



ITD 4 B10 Y 4 with EURO flange

Features

- Encoder with solid shaft $\varnothing 11$ mm
- Max. 60 pulses per revolution
- Optical sensing method
- Centering alignment $\varnothing 85$ mm, mounting screw hole circle $\varnothing 100$ mm
- Industrial standard with centering flange
- Dual bearing
- TTL or HTL output signals
- Flange connector radial or axial

Technical data - electrical ratings

Voltage supply	5 VDC ± 5 % 8...30 VDC
Reverse polarity protection	Yes
Consumption w/o load	≤ 100 mA
Pulses per revolution	5...60
Reference signal	Zero pulse, width 90°
Sensing method	Optical
Output frequency	≤ 60 kHz
Output signals	A, B, N + inverted
Output stages	TTL linedriver (short-circuit proof) HTL push-pull (short-circuit proof)
Interference immunity	DIN EN 61000-6-2
Emitted interference	DIN EN 61000-6-3

Technical data - mechanical design

Size (flange)	$\varnothing 115$ mm
Shaft type	$\varnothing 11$ mm solid shaft
Admitted shaft load	≤ 60 N axial ≤ 100 N radial
Flange	EURO flange B10
Protection DIN EN 60529	IP 65
Operating speed	≤ 8000 rpm
Starting torque	≤ 0.015 Nm ($+20^\circ\text{C}$)
Materials	Housing: aluminium Shaft: stainless steel
Operating temperature	$-20...+70^\circ\text{C}$
Relative humidity	90 % non-condensing
Resistance	DIN EN 60068-2-6 Vibration 10 g, 55-2000 Hz DIN EN 60068-2-27 Shock 100 g, 11 ms
Connection	Connector M23 type 2, 12-pin
Weight approx.	950 g

Subject to modification in technic and design. Errors and omissions excepted.

Incremental encoders

Solid shaft \varnothing 11 mm with EURO flange
5...60 pulses per revolution

ITD 4 B10 Y 4

Part number

ITD 4 B10 Y 4

				S	11	IP65
--	--	--	--	---	----	------

Protection
IP65 IP 65

Flange / Solid shaft
11 EURO flange B10 / \varnothing 11 mm

Operating temperature
S -20...+70 °C

Connection
D2SR12 Flange connector type 2, pin contacts, radial, 12-pin
D2SA12 Flange connector type 2, pin contacts, axial, 12-pin

Output signals
BI A, A inv, B, B inv
NI A, A inv, B, B inv, 0, 0 inv

Voltage supply / signals
T 5 VDC / TTL level, linedriver
H 8...30 VDC / HTL level, push-pull
R 8...30 VDC / TTL level, linedriver

Pulse number - see table

Pulse number

5	16	32	60
---	----	----	----

Accessories

Connectors and cables

11072792	Connector M23 - S2BG12, 1 m cable (incremental)
----------	---

Incremental encoders

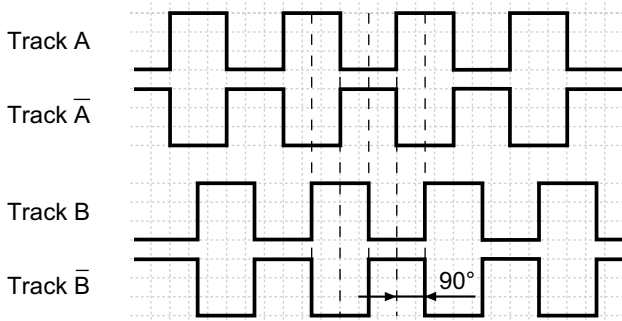
Solid shaft $\varnothing 11$ mm with EURO flange
5...60 pulses per revolution

ITD 4 B10 Y 4

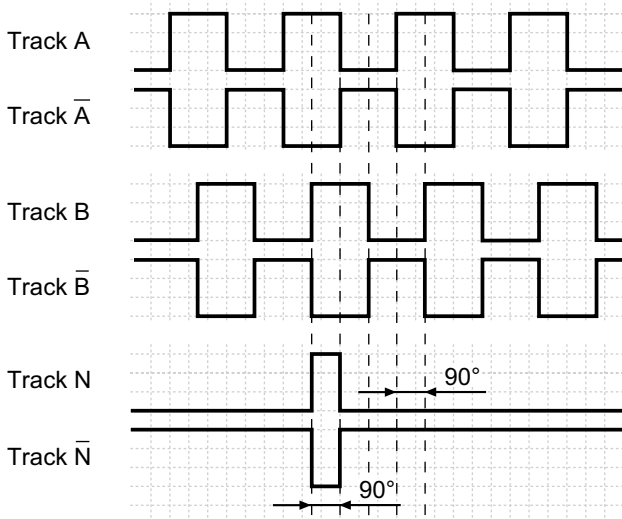
Output signals

Clockwise rotation when looking at the mounting side.

BI-Output signals

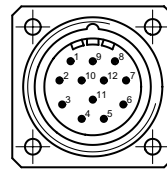


NI-Output signals



Terminal assignment

Connector	Assignment
Pin 5	Track A
Pin 6	Track A inv.
Pin 8	Track B
Pin 1	Track B inv.
Pin 3	Track N
Pin 4	Track N inv.
Pin 12	UB
Pin 10	GND
Pin 2	UB-Sense
Pin 11	GND-Sense
Pin 9	–
Pin 7	–



Trigger level

Outputs	Linedriver
Output level High	≥ 2.4 V
Output level Low	≤ 0.5 V
Load	≤ 70 mA

Outputs	Push-pull short-circuit proof
Output level High	$\geq UB - 3$ V
Output level Low	≤ 1.5 V
Load	≤ 70 mA

Incremental encoders

Solid shaft $\varnothing 11$ mm with EURO flange
5...60 pulses per revolution

ITD 4 B10 Y 4

Dimensions

