

Accessories

Connectors and cables

Female connector M23, 12-pin (incr.)



Features

- Female connector M23 with screwable nut
- With or without cable (shielded) in different lengths
- Cable version: shield is placed onto the connector housing

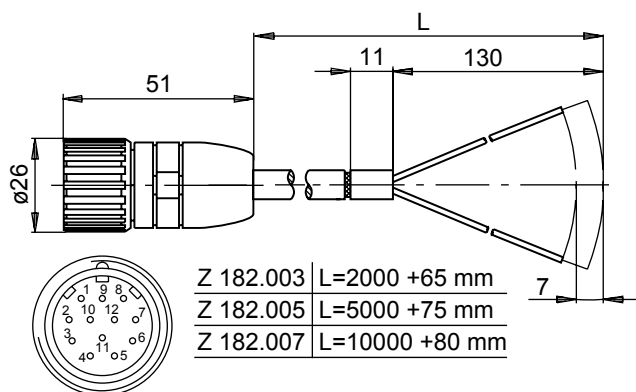
Part number

11034344	Female connector M23, 12-pin, without cable (incr.) (Z 182.001)
11034345	Female connector M23, 12-pin, 2 m (incr.) (Z 182.003)
11034346	Female connector M23, 12-pin, 5 m (incr.) (Z 182.005)
11034347	Female connector M23, 12-pin, 10 m (incr.) (Z 182.007)
11051323	Female connector M23, 12-pin, 15 m (incr.) (Z 182.M15)
11076757	Female connector M23, 12-pin, 8 m (incr.) (Z 182.M08)

Suitable for

G0A2H, G0M2H, GA240, GA241, GBA2H, GBA2S, GBA2W, GBM2H, GBM2S, GBM2W, GM400, GM401, GXA2S, GXM2S

Dimensions



Technical data

Cable length	2 m, 5 m, 8 m, 10 m, 15 m (further length upon request)
Cable type	LiYCY (TP) 6x2x0.14 mm ² (shielded, twisted pair)
Bending radius	6 x cable diameter
Outer diameter	7.1 mm
Operating temperature	-40...+80 °C
Material	Cable sheath: PVC grey

Terminal assignment

Connector	Core colour
Pin 1	brown
Pin 2	white
Pin 3	blue
Pin 4	green
Pin 5	grey
Pin 6	yellow
Pin 7	red
Pin 8	red/blue
Pin 9	pink
Pin 10	violet
Pin 11	black
Pin 12	grey/pink

Color code according to DIN 47100.

Cores twisted in pairs: white-brown, green-yellow, grey-pink, blue-red, black-violet, grey/pink-red/blue