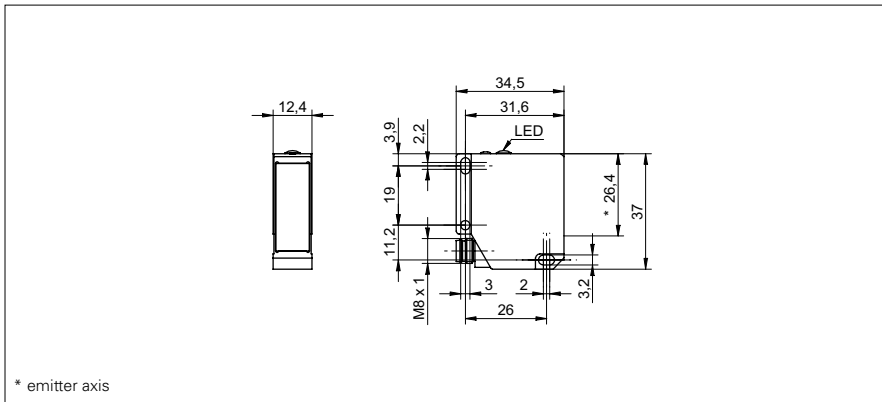


Distance sensors

OADM 12S7440/S35A

dimension drawing



* emitter axis

general data

measuring distance Sd	30 ... 50 mm
adjustment	RS 485
power on indication	LED green
resolution	0,01 ... 0,026 mm
linearity error	± 0,032 ... ± 0,078 mm
light source	pulsed red laser diode
wave length	650 nm
laser class	1
beam type	point
beam diameter	0,7 ... 0,4 mm
interference suppression	< 30 ms
alarm indicator	LED red
temperature drift	< 0,06 % Sde/K

electrical data

response time / release time	< 1,8 ms
voltage supply range +Vs	12 ... 28 VDC
current consumption max. (no load)	80 mA
output circuit	RS 485
baud rate	38400, adjustable
short circuit protection	yes
reverse polarity protection	yes, Vs to GND

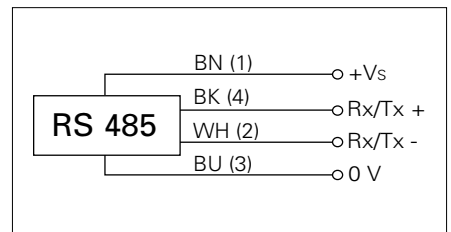
mechanical data

width / diameter	12,4 mm
height / length	37 mm
depth	34,5 mm
type	rectangular
housing material	die-cast zinc
front (optics)	glass
connection types	connector M8 4 pin

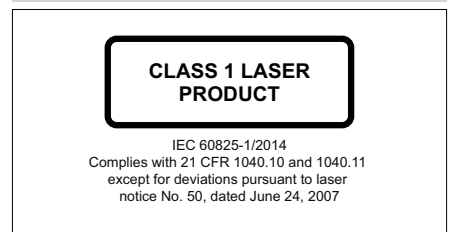
photo



connection diagram



laser warning



• Teach-in button deactivated

Distance sensors**OADM 12S7440/S35A****ambient conditions**

ambient light immunity	< 50 kLux
operating temperature	0 ... +50 °C
protection class	IP 67