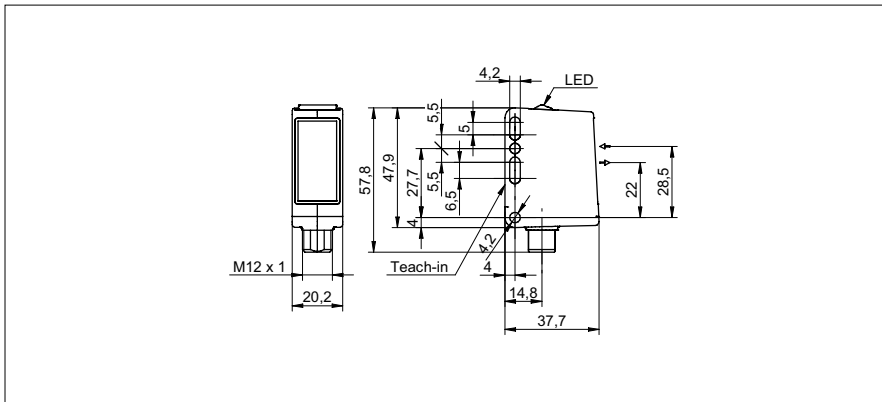


Retro-reflective sensors

O500W.RP-11125066

dimension drawing



general data

type	retro-reflective sensor
special type	Washdown design
light source	pulsed PinPoint LED
actual range Sb	7,5 m
nominal range Sn	8 m
polarization filter	yes
light indicator	LED yellow
power on indication	LED green
sensitivity adjustment	Teach-in: remote
wave length	630 nm
suppression of reciprocal influence	yes
alignment optical axis	< 1°
approvals/certificates	Ecolab

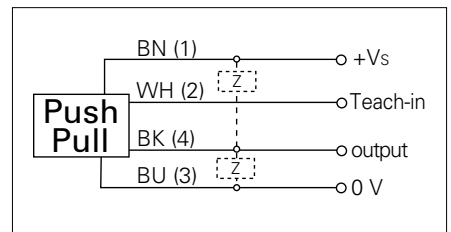
photo



electrical data

response time / release time	< 0,49 ms
voltage supply range +Vs	10 ... 30 VDC
current consumption max. (no load)	40 mA
current consumption typ.	30 mA
voltage drop Vd	< 3 VDC
output function	light / dark operate
output circuit	push-pull
output current	< 100 mA
short circuit protection	yes
reverse polarity protection	yes

connection diagram



proTect⁺



- magnetic Teach
- Retro series 14

Retro-reflective sensors**O500W.RP-11125066****ambient conditions**

operating temperature	-25 ... +60 °C
protection class	IP 68/69K & proTect+