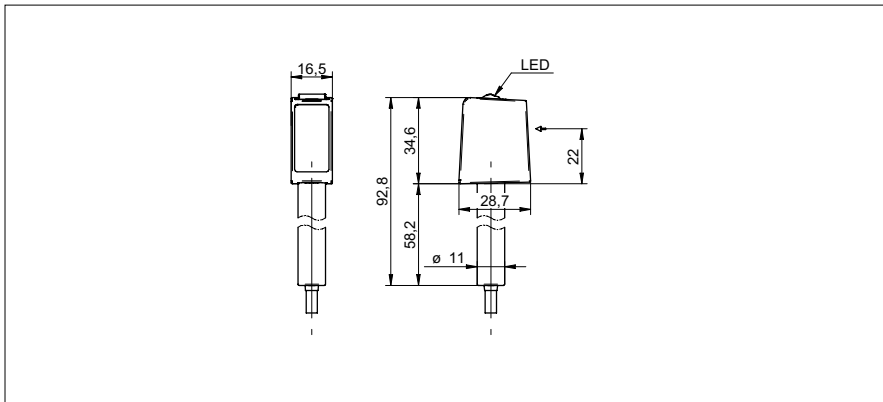


Through beam sensors

O300H.EL-11181083

dimension drawing



general data

type	through beam sensor
special type	hygienic design
emitter / receiver	receiver
actual range S_b	40 m
nominal range S_n	75 m
alignment / soiled lens indicator	flashing light indicator
light indicator	LED yellow
power on indication	LED green
sensitivity adjustment	Teach-in: remote
alignment optical axis	< 2°
approvals/certificates	Ecolab

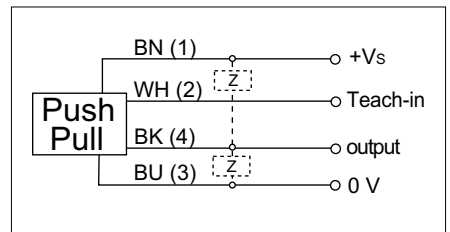
photo



electrical data

response time / release time	< 0,49 ms
voltage supply range +Vs	10 ... 30 VDC
current consumption max. (no load)	40 mA
current consumption typ.	30 mA
voltage drop V_d	< 3 VDC
output function	light / dark operate
output circuit	push-pull
output current	< 100 mA
short circuit protection	yes
reverse polarity protection	yes

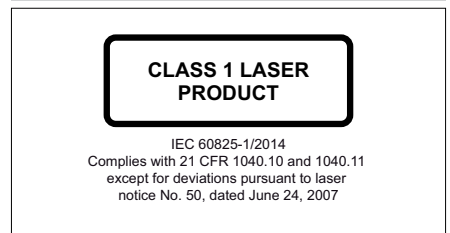
connection diagram



mechanical data

width / diameter	16,5 mm
height / length	34,6 mm
depth	28,7 mm
type	rectangular
housing material	stainless steel 1.4404 (V4A)
front (optics)	PMMA
connection types	cable 4 pin, 2 m

laser warning



ambient conditions

operating temperature	-25 ... +60 °C
protection class	IP 68/69K & proTect+

proTect⁺



• magnetic Teach

Through beam sensors

O300H.EL-11181083

