

DLM30-IN

Compact inline load cells for industrial applications

DLM30-IN.###.TP3.C4

Overview

- Tension and compression load from 200 - 5'000 N
- Non-linearity < 0.2 %
- One-sided stop with integrated hexagon for easy mounting
- Sensor body made of stainless steel with protection class IP68
- Fully welded sensor design
- Durable with 100% working stroke



Technical data

general data

Nominal force	200 ... 5000 N
Non-linearity	< 0.2 %
Repeatability	< 0.1 %
Temperature effect zero	< 0.2 % / 10K
Zero point deviation	< 20 %
Type	Inline
Mechanical mounting	M6 thread / M6 thread

electrical data

Nominal sensitivity	1 mV/V
Bridge resistance	1000 Ω
Supply voltage	0.5 ... 12 VDC
Signal polarity positive	Tension

mechanical data

Overload	150 %
Breaking load	200 %

mechanical data

Nominal displacement	22 μm
Weight	55 g
Material sensor body	Stainless steel, 1.4542
Fatigue strength	>10 Mio cycles at 0...100% FS
Electrical connection	M8, 4 pin, male

environmental conditions

Operating temperature range	-40 ... 85 °C
Storage temperature range	-40 ... 85 °C
Protection class EN 60529, ISO20653	IP 68

compliance and approvals

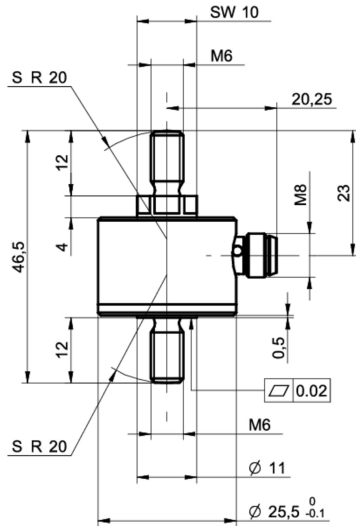
EMC	EN 61000-6-2 EN 61000-6-3 EN 61326-2-3
UL listed	E217824

DLM30-IN

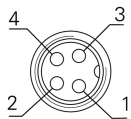
Compact inline load cells for industrial applications

DLM30-IN.###.TP3.C4

Dimensional drawings



Electrical connection



- 1 +Vs
- 2 Sig +
- 3 -Vs
- 4 Sig -

Ordering key - Configuration possibilities see website

	DLM	30	-	IN	.	###	.	T	P3	.	C4
Product group	Membrane force sensor										
	DLM										
Size category	30										
		30									
Type	Inline										
				IN							
Nominal force	200 N										
											201
	500 N										
											501
	1 kN										
											102
	2 kN										
											202
	5 kN										
											502
Measuring direction positive	Tension										
											T
Output signal	Nominal sensitivity 1.00 mV/V										
											P3
Electrical connection	M8, 4 pin, male										
											C4