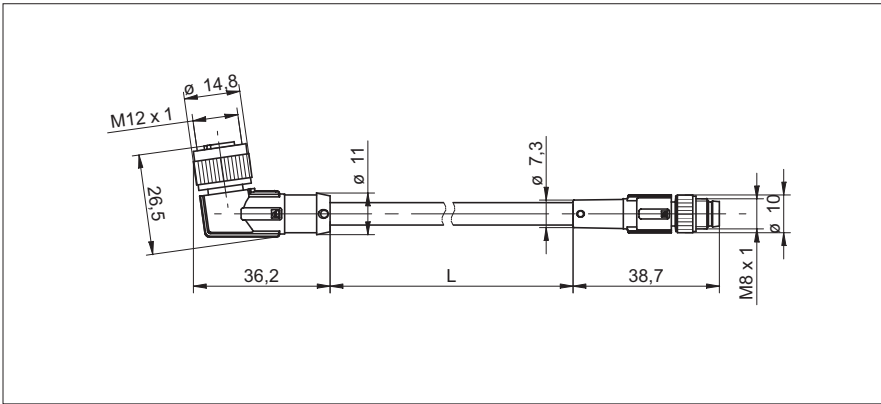


connecting cable 3-wire socket, angled M12 – plug, straight M8

dimension drawing



- 3-wire
- PUR halogen-free
- suitable for flexible cable carriers
- self-locking cap nut
- UL listing file No. E315836

General data

Rated current at 40 °C	4 A
Rated voltage	60 V
Number of positions	3
Volume resistance	≤ 5 mΩ
Insulation resistance	≥ 100 MΩ
Length of cable	see listing
Ambient temperature (operation)	-25 ... 90 °C (Male connector/female connector)

General characteristics

Standards/regulations	M12 connector IEC 61076-2-101
Coding	A-standard
Surge voltage category	II
Pollution degree	3
Degree of protection	IP65/IP67/IP68
Contact material	CuSn
Contact surface material	Ni/Au
Contact carrier material	TPU GF
Material of grip body	TPU, hardly inflammable, self-extinguishing
Material, knurls	Zinc die-cast, (nickel-plated)
Sealing material	NBR
Status display	no

Conductor data

Cable type	PUR halogen-free black
Cable abbreviation	Li9Y11Y-HF
Conductor cross section	0,25 mm ²
AWG signal line	24
Conductor structure, signal line	32x0,10 mm
Core diameter including insulation	1,15 mm ±0,05 mm
External cable diameter	4,40 mm
Wire colors	Brown, blue, black
External sheath, color	Black-gray RAL 7021

Typ

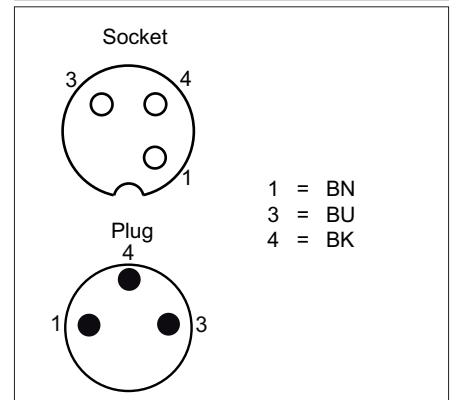
Mat.-No.

L

ESW 33S/KSG32SH0030	10150351	0,30 m
ESW 33S/KSG32SH0050	10149648	0,50 m
ESW 33S/KSG32SH0100	10149649	1,00 m
ESW 33S/KSG32SH0150	10146112	1,50 m
ESW 33S/KSG32SH0200	10137529	2,00 m
ESW 33S/KSG32SH0300	10145601	3,00 m
ESW 33S/KSG32SH0500	10152626	5,00 m
ESW 33S/KSG32SH1000	10150349	10,0 m

other lengths on request

pin assignment



connecting cable 3-wire socket, angled M12 – plug, straight M8

Conductor data (cont.)	
Conductor resistance	≤ 77,6 Ω/km
Nominal voltage, conductor	300 V
Test voltage, conductor	4000 V
Overall twist	3 wires, twisted
Outer sheath, material	PUR
Conductor material	Bare Cu litz wires
Cable weight	23 kg/km
Smallest bending radius, movable installation	44 mm
Number of bending cycles	4'000'000
Bending radius	44 mm
Traversing path	10 m
Traversing rate	3 m/s
Acceleration	10 m/s ²
Ambient temperature (operation)	-40 ... 80 °C (cable, fixed installation) -5 ... 80 °C (cable, flexible installation)
Special properties	suitable for flexible cable carriers Silicone-free Free of substances which would hinder coating with paint or varnish
Flame resistance	As per UL-Style 20549
Halogen-free	As per DIN VDE 0472 part 815
Resistance to oil	complying with DIN EN 60811-2-1
Other resistance	Highly resistant to acids, alkaline solutions and solvents hydrolysis and microbe resistant