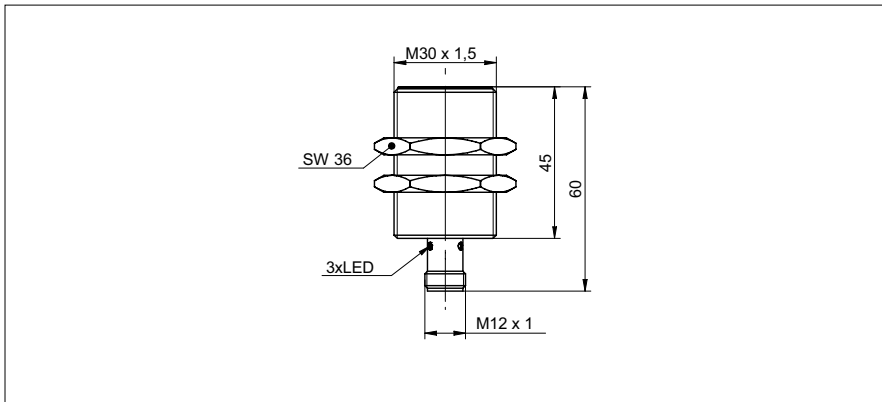


Inductive distance measuring sensors

IR30.D18L-11179028

dimension drawing



general data

mounting type	flush
special type	linearized
measuring distance Sd	0 ... 18 mm
sensitivity	0,56 V/mm
resolution	< 0,005 mm (stat.) < 0,01 mm (dynam.)
repeat accuracy	< 0,02 mm
adjustment	external Teach-in
teach	1-point analog, 2-point analog, factory reset
linearity error	± 360 µm
temperature drift	± 6 % (Full Scale)

electrical data

response time (factory characteristic)	< 5 ms
voltage supply range +Vs	12 ... 36 VDC
current consumption max. (no load)	20 mA
output circuit	voltage output
output signal	0 ... 10 VDC
load resistance	> 4000 Ohm
short circuit protection	yes
reverse polarity protection	yes

mechanical data

type	cylindrical threaded
housing material	brass nickel plated
dimension	30 mm
housing length	60 mm
connection types	connector M12
tightening torque max.	100 Nm

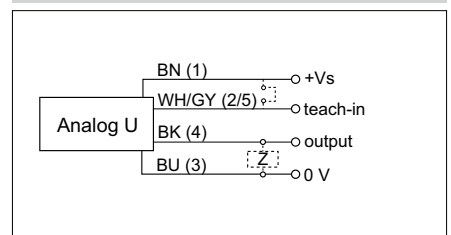
ambient conditions

operating temperature	-25 ... +75 °C
protection class	IP 67

photo



connection diagram



- external Teach-in
- linear analog output