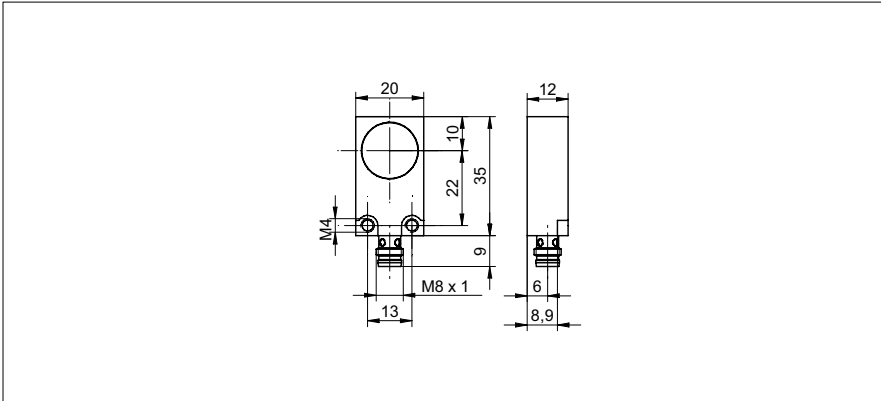


Inductive distance measuring sensors

IWFM 20U9501/S35

dimension drawing



general data

| | |
|-------------------------|------------------|
| mounting type | flush |
| measuring distance Sd | 2 ... 5 mm |
| reference distance | 3,25 ... 3,75 mm |
| measuring speed | < 1 mm / ms |
| repeat accuracy | < 0,01 mm |
| linearity error | ± 100 µm |
| temperature coefficient | 1 µm / (K mm) |

electrical data

| | |
|------------------------------------|----------------|
| voltage supply range +Vs | 15 ... 30 VDC |
| current consumption max. (no load) | 20 mA |
| output circuit | voltage output |
| output signal | 1 ... 9 VDC |
| load resistance | > 1000 Ohm |
| residual output ripple | < 0,5 % Vs |
| short circuit protection | yes |
| reverse polarity protection | yes |

mechanical data

| | |
|------------------|---------------------|
| type | rectangular |
| housing material | brass nickel plated |
| dimension | 20 mm |
| housing length | 35 mm |
| connection types | connector M8 |

ambient conditions

| | |
|-----------------------|--------------|
| operating temperature | 0 ... +60 °C |
| protection class | IP 67 |

photo



connection diagram

