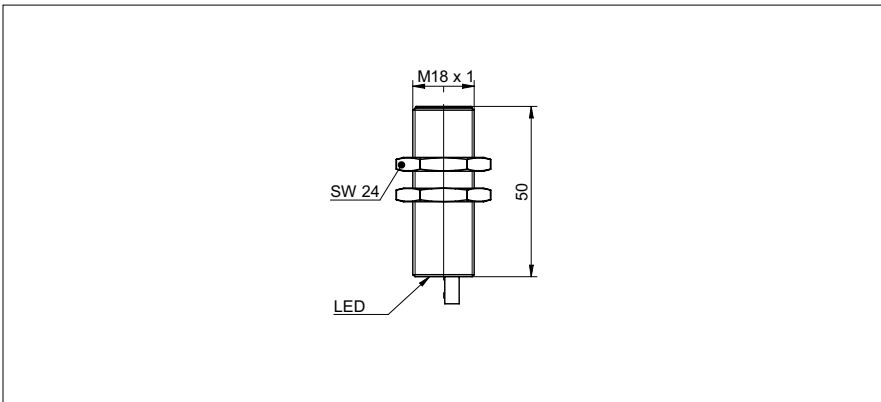


Inductive proximity switch

IR18.P08F-11119478

dimension drawing



general data

mounting type	quasi-flush
special type	factor 1
nominal sensing distance S_n	8 mm
hysteresis	3 ... 20 % of S_r
output indicator	LED red

electrical data

switching frequency	< 500 Hz
voltage supply range +Vs	5 ... 36 VDC
current consumption max. (no load)	12 mA
output circuit	PNP break function (NC)
voltage drop Vd	< 2 VDC
output current	< 200 mA
short circuit protection	yes
reverse polarity protection	yes

mechanical data

type	cylindrical threaded
material (sensing face)	PBT
housing material	brass nickel plated
dimension	18 mm
housing length	50 mm
connection types	cable, 2 m
tightening torque max.	40 Nm

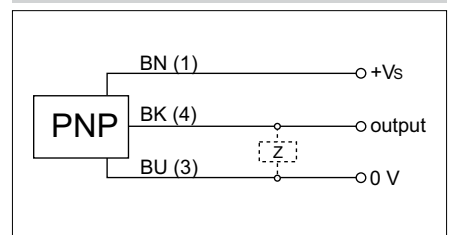
ambient conditions

operating temperature	-25 ... +75 °C
storage temperature	-40 ... +85 °C
protection class	IP 67

photo



connection diagram



- Not for flush mounting in metals
- same sensing distance on all metals (no reduction factor)