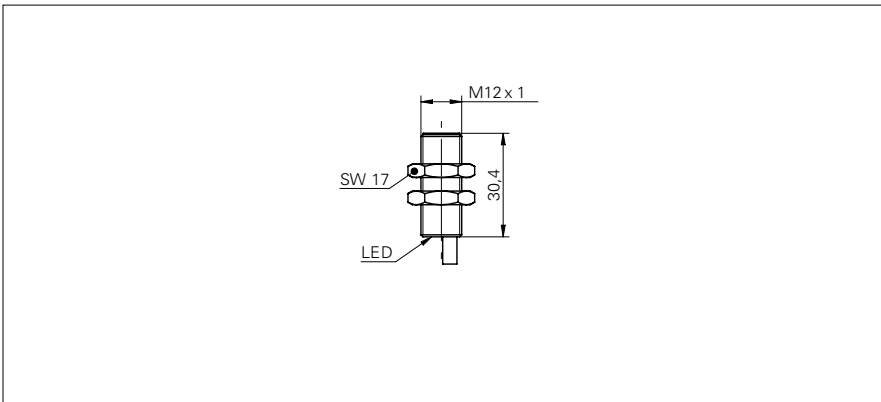


Inductive proximity switch

IFRM 12P17X1/L

dimension drawing



general data

mounting type	flush
nominal sensing distance S_n	4 mm
hysteresis	3 ... 20 % of S_r
output indicator	LED red
approvals/certificates	ATEX 3D

electrical data

switching frequency	< 2 kHz
voltage supply range +Vs	10 ... 30 VDC
current consumption max. (no load)	10 mA
output circuit	PNP make function (NO)
voltage drop Vd	< 2 VDC
output current	< 200 mA
short circuit protection	yes
reverse polarity protection	yes

mechanical data

type	cylindrical threaded
material (sensing face)	PBT
housing material	brass nickel plated
dimension	12 mm
housing length	30,4 mm
connection types	cable, 2 m

ambient conditions

protection class	IP 67
------------------	-------

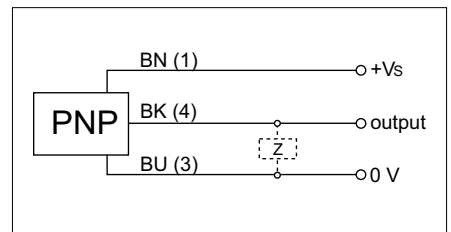
safe maximum values

marking	II 3D Ex tc IIIC T100°C Dc X
operating temperature T_a	-25 ... +65 °C

photo



connection diagram



Inductive proximity switch

IFRM 12P17X1/L

Safe maximum values

Marking	II 3D Ex tc IIIC T100°C Dc X
Operating temperature Ta	-25 ... +65 °C

Special conditions „X“

- The device must be set up so that the device and the plug-in connector are completely mechanically protected from impact effects in accordance with EN 60079-0 Section 26.4.2
- The metal housing must be conductively connected to the plant's equipotential bonding system
- Device and connection cable must be installed so that they are protected from UV light