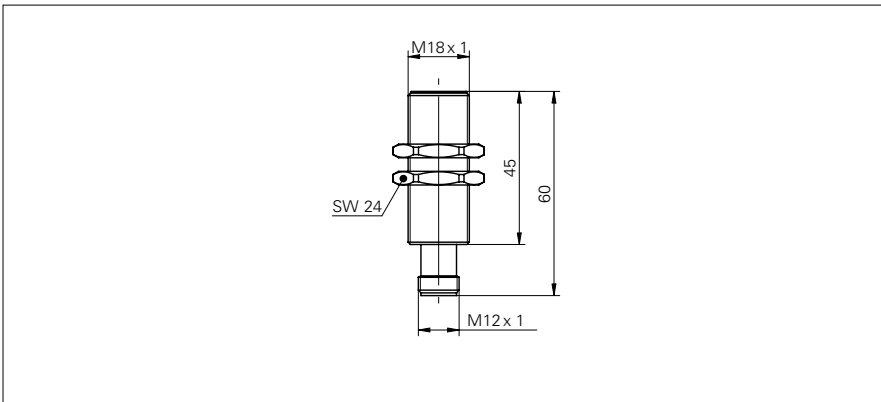


Inductive distance measuring sensors

IR18.D05S-11140166

dimension drawing



general data

| | |
|-----------------------|--|
| mounting type | flush |
| measuring distance Sd | 2 ... 5 mm |
| resolution | < 0,005 mm (stat.) < 0,01 mm (dynam.) |
| repeat accuracy | < 0,015 mm |
| linearity error | ± 350 µm |
| temperature drift | ± 2 % (Full Scale; 0 ... +60 °C) ± 4 % (Full Scale; -10 ... +70 °C) |

electrical data

| | |
|--|----------------|
| response time (factory characteristic) | < 2 ms |
| voltage supply range +Vs | 12 ... 36 VDC |
| current consumption max. (no load) | 10 mA |
| output circuit | voltage output |
| output signal | 1 ... 9 VDC |
| load resistance | > 4000 Ohm |
| short circuit protection | yes |
| reverse polarity protection | yes |

mechanical data

| | |
|------------------------|----------------------|
| type | cylindrical threaded |
| housing material | brass nickel plated |
| dimension | 18 mm |
| housing length | 60 mm |
| connection types | connector M12 |
| tightening torque max. | 40 Nm |

ambient conditions

| | |
|-----------------------|----------------|
| operating temperature | -10 ... +70 °C |
| protection class | IP 67 |

photo



connection diagram

