

Combination

Encoder with integrated electronic speed switch

Solid shaft with EURO flange B10

300...5000 pulses per revolution

POG 11 + ESL 90



POG 11 + ESL 90

Technical data - electrical ratings (encoder)

Voltage supply	9...30 VDC; 5 VDC $\pm 5\%$
Consumption w/o load	≤ 100 mA
Pulses per revolution	300...5000
Phase shift	$90^\circ \pm 20^\circ$
Duty cycle	40...60 %
Reference signal	Zero pulse, width 90°
Output frequency	≤ 120 kHz ≤ 300 kHz (on request)
Output signals	K1, K2, K0 + inverted Error output (option EMS)
Output stages	HTL-P (power linedriver) TTL/RS422
Sensing method	Optical

Technical data - electrical ratings (speed switches)

Switching accuracy	$\pm 4\%$ (≤ 1500 rpm) $\pm 2\%$ (> 1500 rpm)
Switching hysteresis	$\approx 30\%$ of switching speed
Switching outputs	1 output, speed control
Output switching capacity	≤ 6 A / 250 VAC; ≤ 1 A / 48 VDC
Minimum switching current	100 mA
Switching delay time	≤ 40 ms

Features

- Offshore and salt water firm, high protection IP 67
- TTL output driver for cable length up to 500 m
- Electronic speed monitoring
- Circuit breaker with up to three selectable threshold speeds
- EURO flange B10 / solid shaft $\varnothing 11$ mm
- Terminal boxes, turn by 180°

Optional

- Function control with EMS (Enhanced Monitoring System)
- Redundant sensing with two terminal boxes
- Housing foot (B3)

Technical data - mechanical design

Size (flange)	$\varnothing 115$ mm
Shaft type	$\varnothing 11$ mm solid shaft
Admitted shaft load	≤ 300 N axial ≤ 450 N radial
Flange	EURO flange B10
Protection DIN EN 60529	IP 67
Operating speed	≤ 6000 rpm
Range of switching speed (ns)	650...6000 rpm
Operating torque typ.	3 Ncm
Rotor moment of inertia	220 gcm ²
Materials	Housing: aluminium die-cast Shaft: stainless steel
Operating temperature	$-20...+85$ °C
Resistance	IEC 60068-2-6 Vibration 10 g, 10-2000 Hz IEC 60068-2-27 Shock 100 g, 11 ms
Corrosion protection	IEC 60068-2-52 Salt mist for ambient conditions CX (C5-M) according to ISO 12944-2
Connection	2x terminal box 3x terminal box (with option M)
Weight approx.	2.7 kg, 2.9 kg (with option M)
Interference immunity	EN 61000-6-2
Emitted interference	EN 61000-6-3
Approval	CE

Combination

Encoder with integrated electronic speed switch

Solid shaft with EURO flange B10

300...5000 pulses per revolution

POG 11 + ESL 90

Part number

POG11

		DN				+ ESL90	...		
--	--	----	--	--	--	---------	-----	--	--

					<p><u>Mounting type</u> EURO flange B10 B3 Housing foot B3</p> <p><u>Switching speed (ns)</u> ... 650...6000 rpm</p> <p><u>Voltage supply / signals</u> I 9...30 VDC / output stage HTL with inverted signals TTL 5 VDC / output stage TTL with inverted signals R 9...30 VDC / output stage TTL with inverted signals</p> <p><u>Pulse number - see table</u></p> <p><u>Output signals</u> DN K1, K2, K0</p> <p><u>Redundant sensing</u> Without redundant sensing M With redundant sensing (not possible at version with housing foot B3)</p> <p><u>EMS - Enhanced Monitoring System</u> Without EMS .2 With EMS</p>

Pulse number

300	1000	2048	4096
500	1024	2500	5000
512	1200	3072	

Other pulse numbers on request.
* Please specify the exact switching speed in addition to the part number (factory setting).

Accessories

Connectors and cables

HEK 8	Sensor cable for encoders
-------	---------------------------

Mounting accessories

K 35	Spring washer coupling for solid shaft ø6...12 mm
K 50	Spring washer coupling for solid shaft ø11...16 mm
K 60	Spring washer coupling for solid shaft ø11...22 mm

Diagnostic accessories

11075858	Analyzer for encoders HENQ 1100
----------	---------------------------------

Combination

Encoder with integrated electronic speed switch

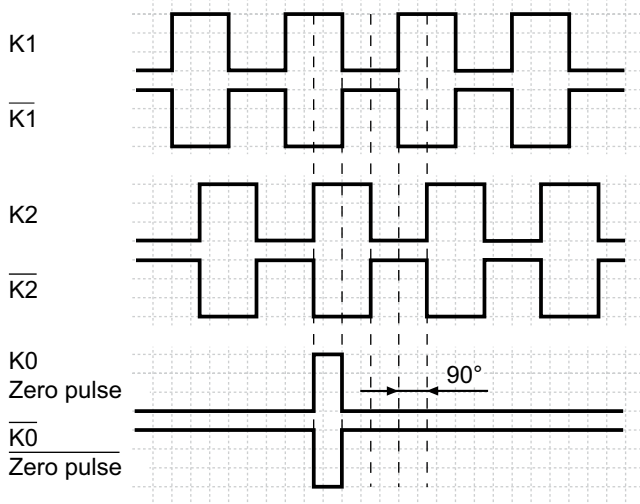
Solid shaft with EURO flange B10

300...5000 pulses per revolution

POG 11 + ESL 90

Output signals

At positive rotating direction



Option EMS: LED status / Error output

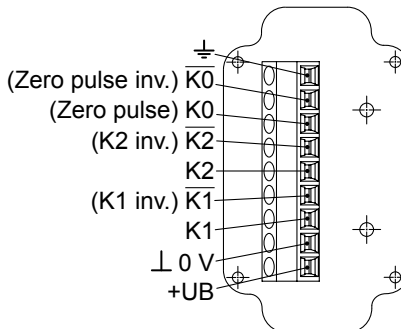
Flash light red*	Error of signal sequence, zero pulse or pulses (Error output = HIGH-LOW alternation)
Red	Overload output driver (Error output = LOW)
Flash light green	Device o.k., rotating (Error output = HIGH)
Green	Device o.k., stopped (Error output = HIGH)
No light	No voltage supply connection or wrong connection (Error output = LOW)

* Only at rotating device

Terminal assignment

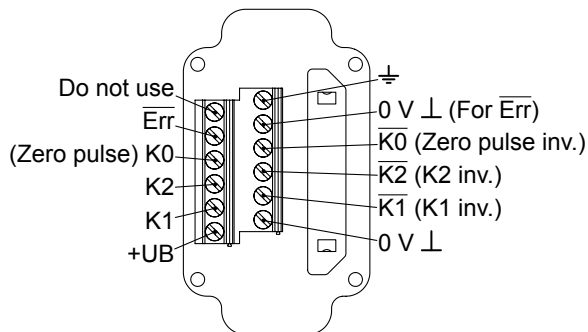
View A

Connecting terminal terminal box POG 11



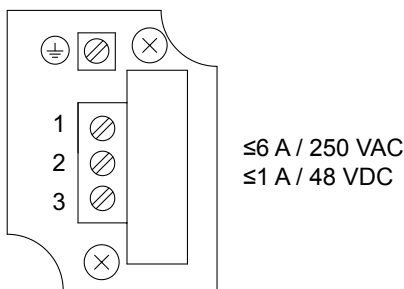
Option EMS: View A

Connecting terminal terminal box POG 11.2



View B

Connecting terminal electronic speed switch ESL 90



Combination

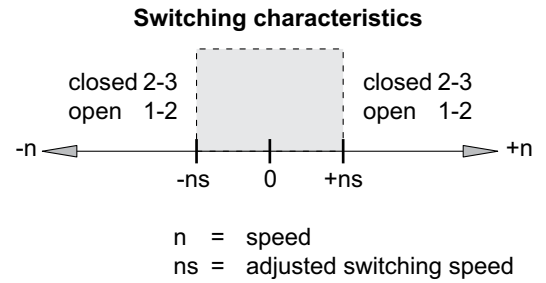
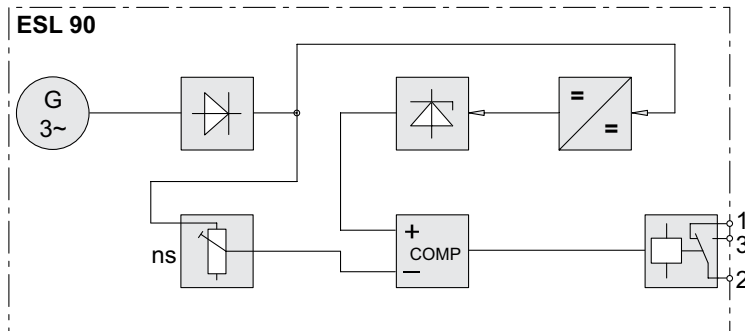
Encoder with integrated electronic speed switch

Solid shaft with EURO flange B10

300...5000 pulses per revolution

POG 11 + ESL 90

Block circuit diagram



Combination

Encoder with integrated electronic speed switch

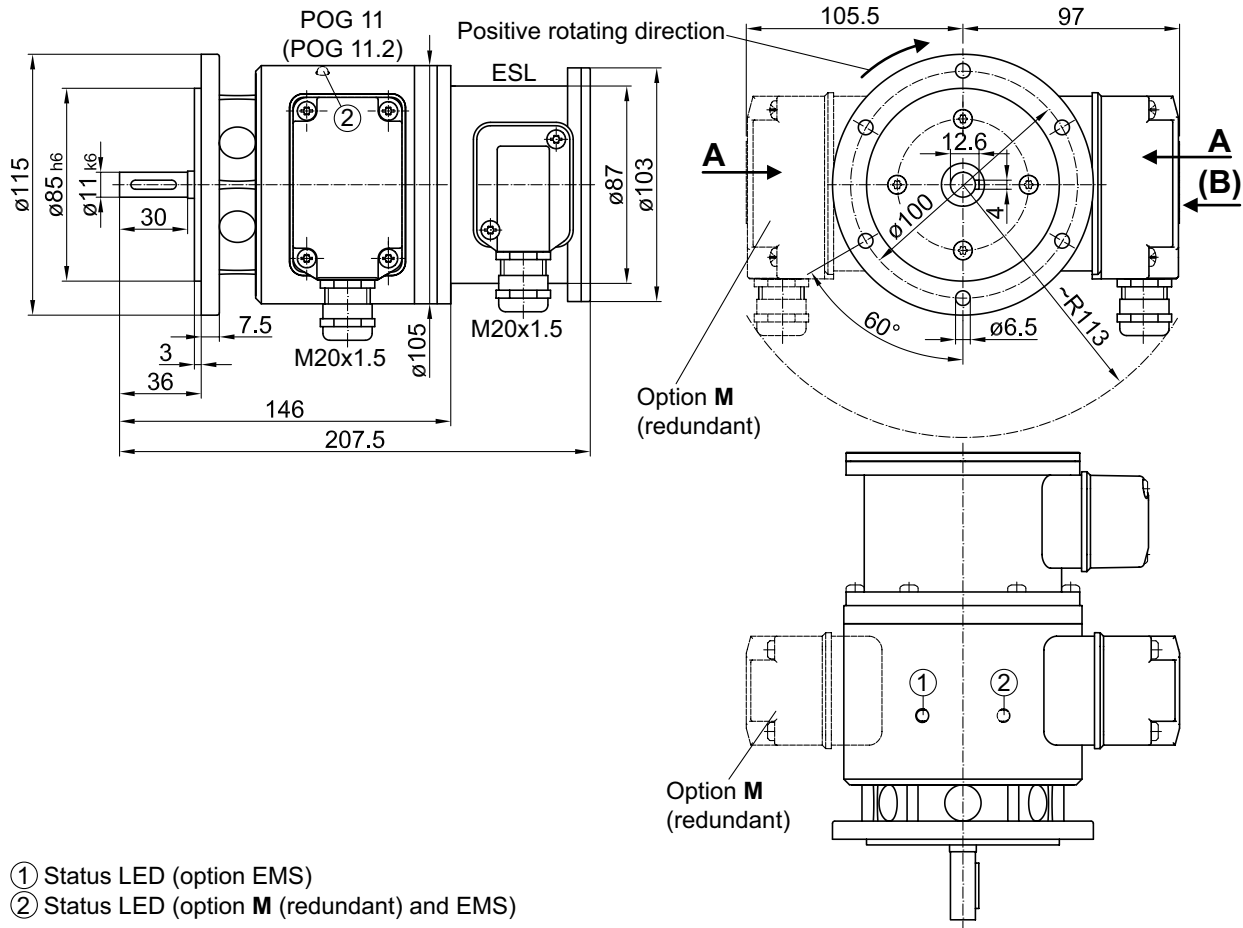
Solid shaft with EURO flange B10

300...5000 pulses per revolution

POG 11 + ESL 90

Dimensions

EURO flange B10



Housing foot B3

