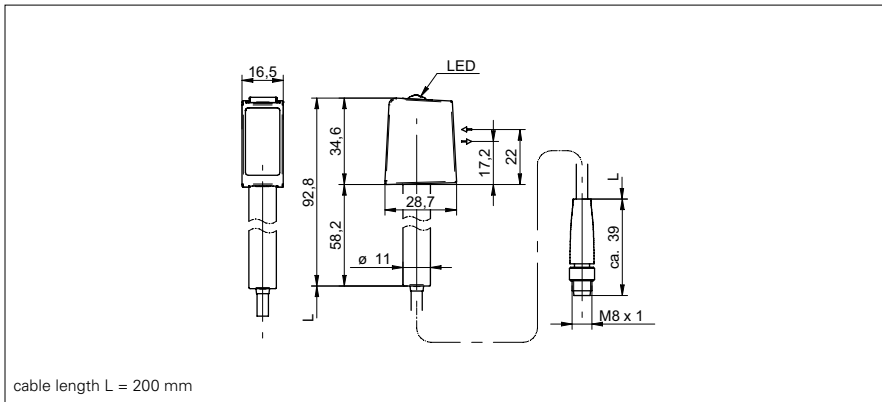


Retro-reflective sensors

O300H.RP.T-11157337

dimension drawing



general data

|                                     |                               |
|-------------------------------------|-------------------------------|
| type                                | retro-reflective sensor       |
| special type                        | hygienic design               |
| version                             | transparency object detection |
| light source                        | pulsed PinPoint LED           |
| actual range Sb                     | 3,5 m                         |
| nominal range Sn                    | 4 m                           |
| polarization filter                 | yes                           |
| minimal signal attenuation          | 10 % / 20 % / 30 %            |
| light indicator                     | LED yellow                    |
| power on indication                 | LED green                     |
| sensitivity adjustment              | Teach-in and IO-Link          |
| wave length                         | 630 nm                        |
| suppression of reciprocal influence | yes                           |
| alignment optical axis              | < 2°                          |
| approvals/certificates              | Ecolab                        |

electrical data

|                                    |                      |
|------------------------------------|----------------------|
| response time / release time       | < 0,25 ms            |
| voltage supply range +Vs           | 10 ... 30 VDC        |
| current consumption max. (no load) | 35 mA                |
| current consumption typ.           | 30 mA                |
| voltage drop Vd                    | < 3 VDC              |
| output function                    | light / dark operate |
| output circuit                     | push-pull            |
| output current                     | < 100 mA             |
| short circuit protection           | yes                  |
| reverse polarity protection        | yes                  |

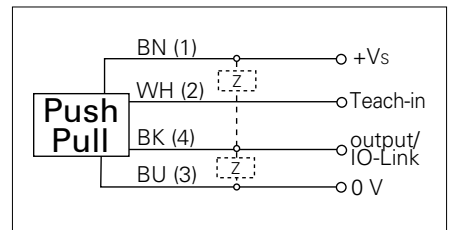
mechanical data

|                  |                                |
|------------------|--------------------------------|
| width / diameter | 16,5 mm                        |
| height / length  | 34,6 mm                        |
| depth            | 28,7 mm                        |
| type             | rectangular                    |
| housing material | stainless steel 1.4404 (V4A)   |
| front (optics)   | PMMA                           |
| connection types | flylead connector M8, L=200 mm |

photo



connection diagram



- magnetic Teach
- IO-Link: V1.1, filter functions, qTeach lock adjustable
- signal attenuation adjustable

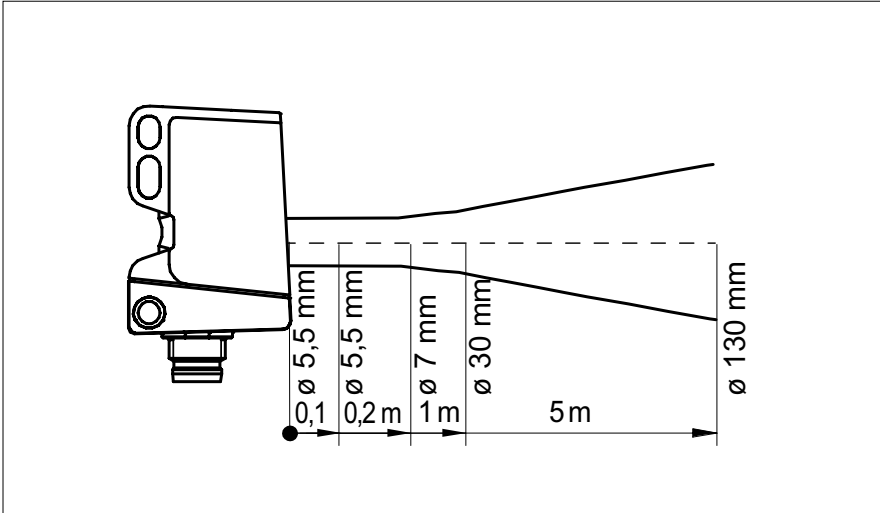
## Retro-reflective sensors

## O300H.RP.T-11157337

### ambient conditions

|                       |                      |
|-----------------------|----------------------|
| operating temperature | -25 ... +60 °C       |
| protection class      | IP 68/69K & proTect+ |

### beam characteristic (typically)



Retro-reflective sensors

O300H.R.P.T-11157337

excess gain curves

