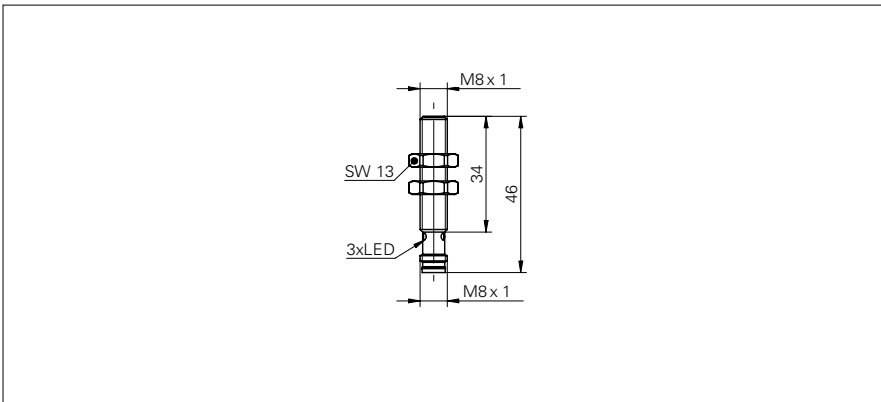


Inductive proximity switch

IR08.P02F-11119426

dimension drawing



general data

mounting type	flush
special type	factor 1
nominal sensing distance S_n	2 mm
hysteresis	3 ... 20 % of S_r
output indicator	3 port LED red

electrical data

switching frequency	< 3 kHz
voltage supply range +Vs	5 ... 36 VDC
current consumption max. (no load)	12 mA
output circuit	PNP break function (NC)
voltage drop Vd	< 2 VDC
output current	< 200 mA
short circuit protection	yes
reverse polarity protection	yes

mechanical data

type	cylindrical threaded
material (sensing face)	PBT
housing material	stainless steel
dimension	8 mm
housing length	46 mm
connection types	connector M8
tightening torque max.	10 Nm

ambient conditions

operating temperature	-25 ... +75 °C
storage temperature	-40 ... +85 °C
protection class	IP 67

photo



connection diagram



- robust steel housings
- high switching frequency
- same sensing distance on all metals (no reduction factor)