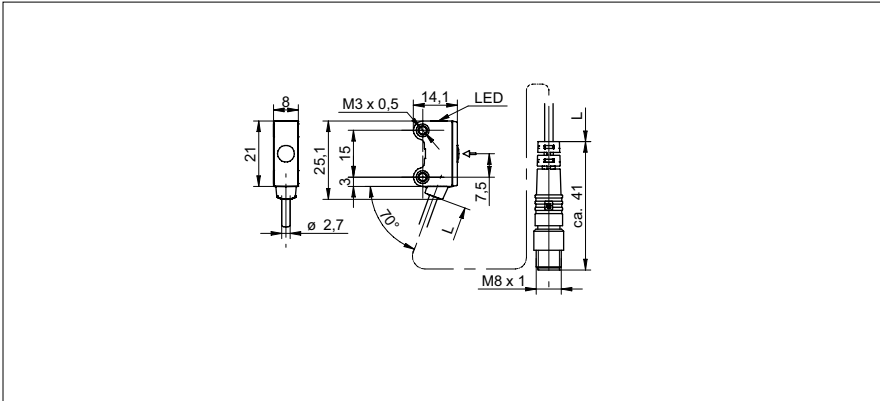


Through beam sensors

O200.ER-11212646

dimension drawing



general data

| | |
|-------------------------------------|------------------------------------|
| type | through beam sensor |
| emitter / receiver | receiver |
| actual range Sb | 5 m |
| nominal range Sn | 6 m |
| smallest object recognizable typ. | 5 mm (0,5 mm with aperture) |
| alignment / soiled lens indicator | flashing output indicator |
| output indicator | LED yellow |
| power on indication | LED green |
| sensitivity adjustment | Teach-in: remote / 1-Step Teach-in |
| suppression of reciprocal influence | yes |

electrical data

| | |
|------------------------------------|------------------|
| response time / release time | < 0,5 ms |
| voltage supply range +Vs | 10 ... 30 VDC |
| current consumption max. (no load) | 20 mA (@ 30 VDC) |
| current consumption typ. | 16 mA (@ 24 VDC) |
| voltage drop Vd | < 2 VDC |
| output function | light operate |
| output circuit | push-pull |
| output current | < 50 mA |
| short circuit protection | yes |
| reverse polarity protection | yes |

mechanical data

| | |
|-----------------------|---------------------------------------|
| width / diameter | 8 mm |
| height / length | 25,1 mm |
| depth | 14,1 mm |
| type | rectangular |
| mechanical mounting | threaded sleeves M3 (stainless steel) |
| housing material | plastic (ASA, PMMA) |
| front (optics) | PMMA |
| connection types | flylead connector M8 4 pin, L=200 mm |
| cable characteristics | PVC / PVC 4 x 0,08 mm ² |

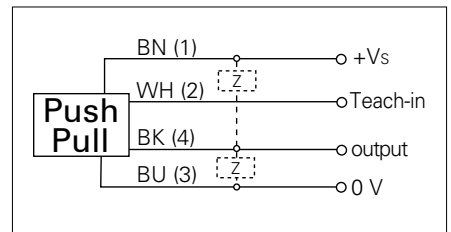
ambient conditions

| | |
|-----------------------|----------------|
| operating temperature | -25 ... +50 °C |
| protection class | IP 67 |

photo



connection diagram



Through beam sensors

O200.ER-11212646

