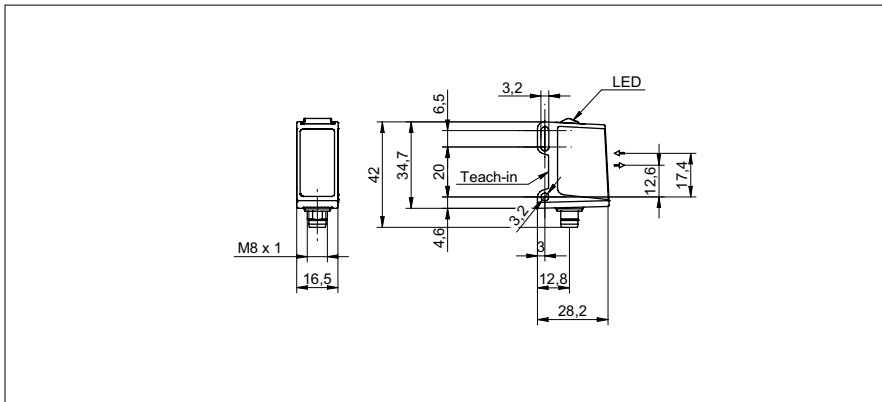


Retro-reflective sensors

O300W.RP-11127720

dimension drawing



general data

type	retro-reflective sensor
special type	Washdown design
light source	pulsed PinPoint LED
actual range Sb	5 m
nominal range Sn	6 m
polarization filter	yes
light indicator	LED yellow
power on indication	LED green
sensitivity adjustment	qTeach / remote
wave length	630 nm
suppression of reciprocal influence	yes
alignment optical axis	< 2°
approvals/certificates	Ecolab

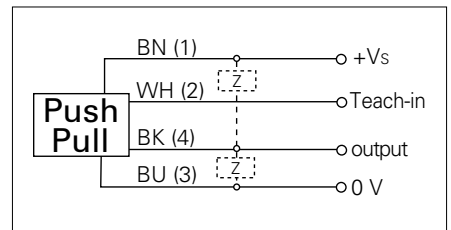
photo



electrical data

response time / release time	< 0,49 ms
voltage supply range +Vs	10 ... 30 VDC
current consumption max. (no load)	35 mA
current consumption typ.	25 mA
voltage drop Vd	< 3 VDC
output function	light / dark operate
output circuit	push-pull
output current	< 100 mA
short circuit protection	yes
reverse polarity protection	yes

connection diagram



mechanical data

width / diameter	16,5 mm
height / length	34,7 mm
depth	28,2 mm
type	rectangular
housing material	stainless steel 1.4404 (V4A)
front (optics)	PMMA
connection types	connector M8 4 pin

proTect⁺



• qTeach

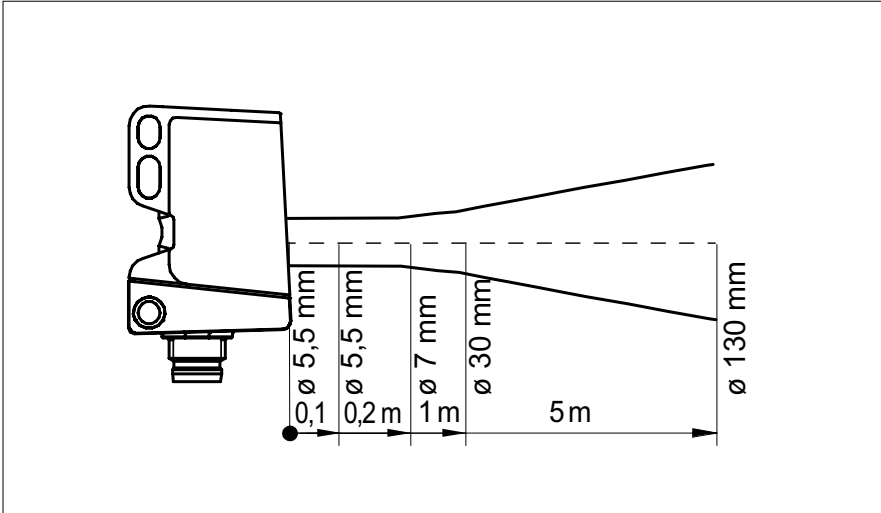
Retro-reflective sensors

O300W.RP-11127720

ambient conditions

operating temperature	-25 ... +60 °C
protection class	IP 68/69K & proTect+

beam characteristic (typically)



Retro-reflective sensors

O300W.RP-11127720

