

## features

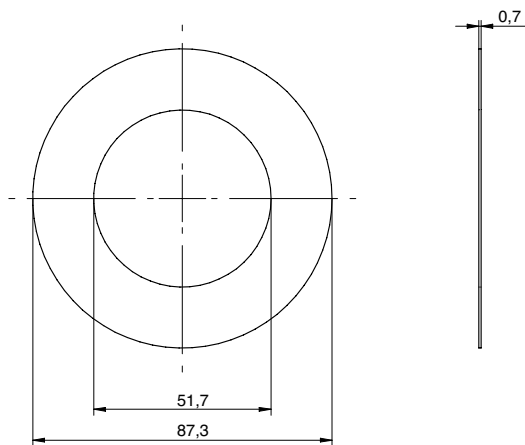
- Polarization filter for Falcon illumination FLDR-i90B

## mechanical data

weight  $\leq 9$  g

material plastic

## dimension drawing



## schematic diagram

