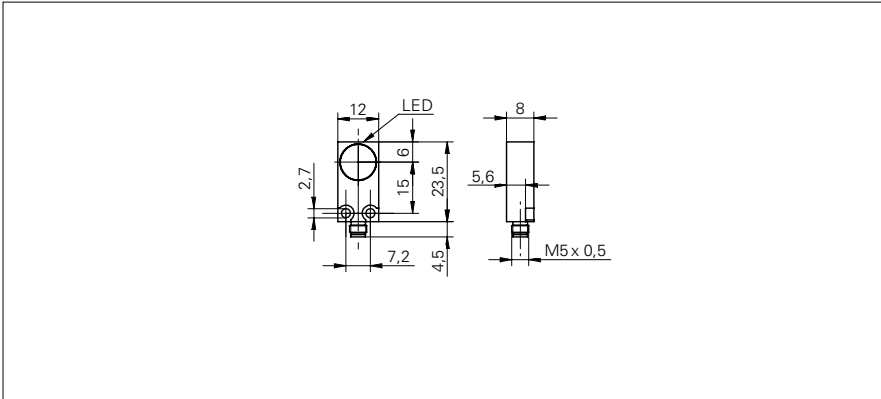


Inductive proximity switch

IFFM 12N37A3/S05L

dimension drawing



general data

mounting type	flush
nominal sensing distance S_n	4 mm
hysteresis	3 ... 20 % of S_r
output indicator	LED red

electrical data

switching frequency	< 2 kHz
voltage supply range +Vs	10 ... 30 VDC
current consumption max. (no load)	10 mA
output circuit	NPN break function (NC)
voltage drop V_d	< 2 VDC
output current	< 200 mA
short circuit protection	yes
reverse polarity protection	yes

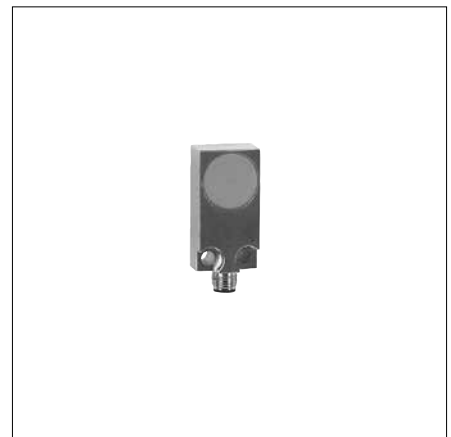
mechanical data

type	rectangular
material (sensing face)	PBT
housing material	brass nickel plated
dimension	12 mm
housing length	23,5 mm
connection types	connector M5

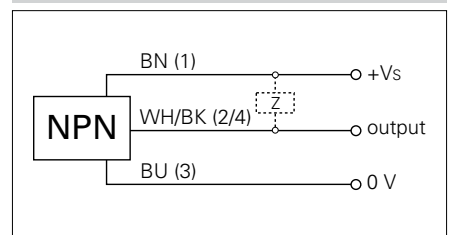
ambient conditions

operating temperature	-25 ... +75 °C
protection class	IP 67

photo



connection diagram



- extra flat housing
- miniature connector M5 x 0,5