

overview

- 4096 × 2160 px
- Sony IMX255
- 1" CMOS
- 95 fps
- 10 GigE
- available



technical data

sensor information		camera features	
sensor	Sony IMX255	trigger sources	Hardware software ActionCommand
resolution	4096 × 2160 px	trigger delay	0 ... 2 sec, tracking and buffering of up to 256 trigger signals
exposure time	0,001 ... 60000 ms	internal image buffer	1024 MB 117 images (Trigger Mode) 1 image (Free Running Mode)
pixel size	3.45 × 3.45 µm	interfaces and connectors	
shutter type	Global shutter	data interface	10 Gigabit Ethernet, Transfer rate 10000 Mb/s, Connector: SFP+ cage
sensor type	1" CMOS	process interface	M12 / 12 pins a-coded (SACC-CI-M12MS-12CON-L180)
acquisition formats		power supply	via M12/12 pins a-coded
image formats, interface frame rate max.	Full Frame, 4096 × 2160 px, max. 95 fps Binning 2×2, 2048 × 1080 px, max. 184 fps Binning 2×1, 2048 × 2160 px, max. 95 fps Binning 1×2, 4096 × 1080 px, max. 95 fps	mechanical data	
image formats, acquisition frame rate max. (Burst Mode)	Full Frame, 4096 × 2160 px, max. 95 fps	lens mount	C-mount
pixel formats	Mono8 Mono10 Mono12 Mono12 Packed	width	60 mm
image preprocessing		height	60 mm
analog controls	Gain (0 ... 48 dB) Offset (0 ... 255 LSB 12 Bit)	depth	79,6 mm
color models	Mono	weight	≤ 415 g
camera features		material	aluminum
synchronization	free running trigger	electrical data	
		voltage supply range +Vs	12 ... 24 V DC (external power supply)
		non-volatile memory	
		flash memory size	128 kB
		environmental conditions	
		operating temperature	0 ... +65 ° @ T = measurement point

technical data

environmental conditions

humidity	10 ... 90 % (non-condensing)
protection class	IP 40 IP 54 (with mounted tube and cable) IP 65 (with mounted tube and cable) IP 67 (with mounted tube and cable)

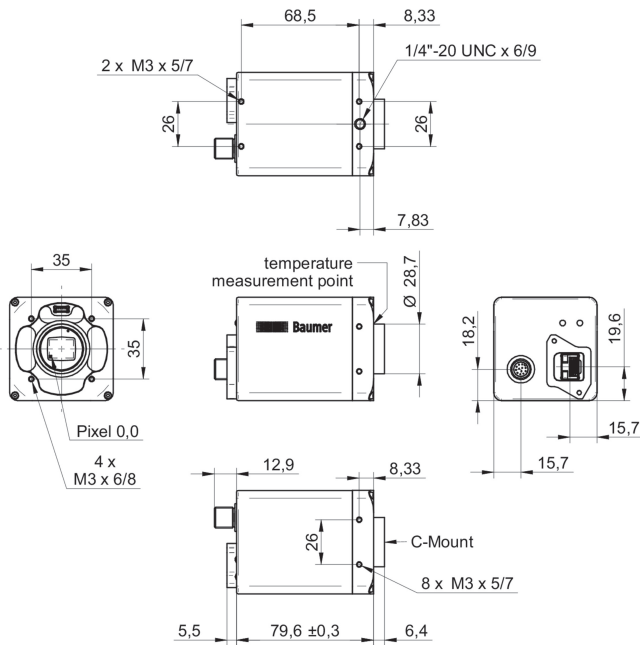
conformity

conformity	CE RoHS
------------	------------

digital I/Os

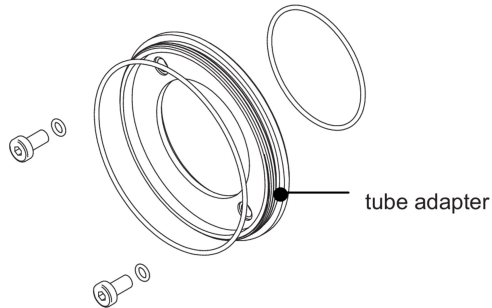
lines	2 input lines 4 output lines with pulse width modulation (PWM) (max. 48 V / max. 2,5 A) RS232
-------	---

dimension drawing

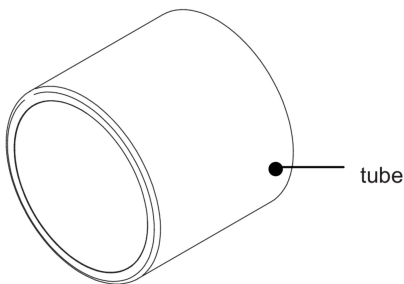


Principle

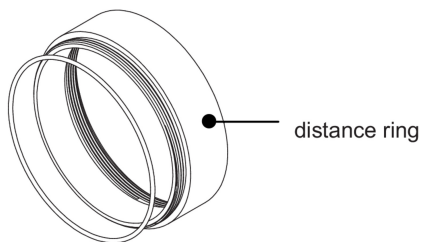
Optional accessories for protection class IP65/67:



- tube adapter
- Ø 65 mm, hard-anodized, incl. sealing and screws (VCXG.I 11185377; VLXT 11193125)



- tube
- Ø 65 mm, length 58 mm, hard-anodized, cover glass PMMA (11185374)
 - Ø 65 mm, length 58 mm, hard-anodized, tempered laminated safety glass (11195426)



- distance ring
- Ø 65 mm, length 12 mm, hard-anodized, incl. sealing (11185375)
 - Ø 65 mm, length 6 mm, hard-anodized, incl. sealing (11185376)
 - Ø 65 mm, length 36 mm, hard-anodized, incl. sealing (111988906)