

# Accessories

## Mounting accessories

### Mounting kit 052



#### Features

- For low-dynamic applications and constant movements

#### Description

Torque support onto encoder by help of the attached screws. Push encoder onto the drive shaft and mount torque support onto the client side. Fastening clamping ring by the screw provided.

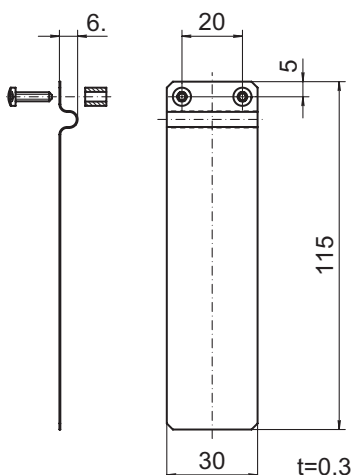
#### Part number

11066075 Mounting kit 052

#### Scope of delivery

Included:  
torque support, two screws M3 x 12 (DIN 7985 - TX10) with  
two spacers 7 mm

#### Dimensions



Z00424

#### Assembly drawing

