

Accessories

Connectors and cables

Female connector M23, 12-pin



Features

- Female connector M23 with screwable nut
- With or without cable (shielded) in different lengths
- Cable version: shield is placed onto the connector housing

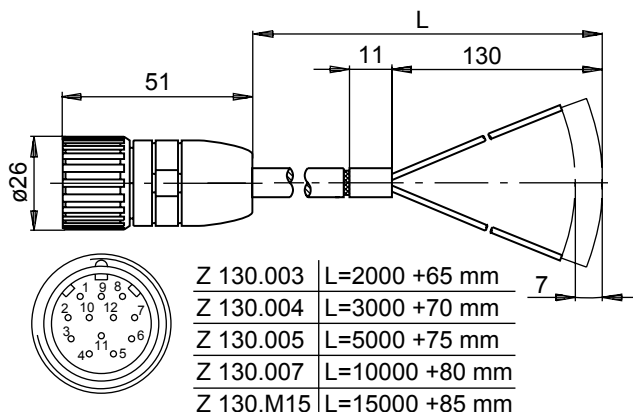
Part number

10126594	Female connector M23, 12-pin, 5 m cable (Z 130.005)
10129757	Female connector M23, 12-pin, 10 m cable (Z 130.007)
10138559	Female connector M23, 12-pin, 2 m cable (Z 130.003)
11034154	Female connector M23, 12-pin, without cable (Z 130.001)
11034156	Female connector M23, 12-pin, 3 m cable (Z 130.004)
11042991	Female connector M23, 12-pin, 15 m cable (Z 130.M15)

Suitable for

G0A2H, G0M2H, G1M2H, G2M2H, GA240, GA241, GBA2H, GBA2S, GBA2W, GBM2H, GBM2S, GBM2W, GM400, GM401, GXA2S, GXM2S, GXM7S, GXM7W

Dimensions



Technical data

Voltage supply	<300 V
Core diameter	1.00 +0.05 mm
Cable length	2 m, 3 m, 5 m, 10 m, 15 m (further length upon request)
Cable type	LiYCY-t 5x2x0.14 mm ² (shielded cable)
Bending radius	10 x cable diameter
Outer diameter	7.5 ±0.4 mm
Operating temperature	-30...+100 °C (fixed cable)
Conductor resistance	<140 Ω/km (20 °C)
Material	Cable sheath: PVC grey

Terminal assignment

Connector	Core colour
Pin 1	brown
Pin 2	black
Pin 3	blue
Pin 4	beige
Pin 5	green
Pin 6	yellow
Pin 7	violet
Pin 8	yellow/brown
Pin 9	pink
Pin 10	yellow/black
Pin 11 / 12	–

Cores twisted in pairs: black-brown, blue-violet, green-pink, beige-yellow, yellow/brown-yellow/black