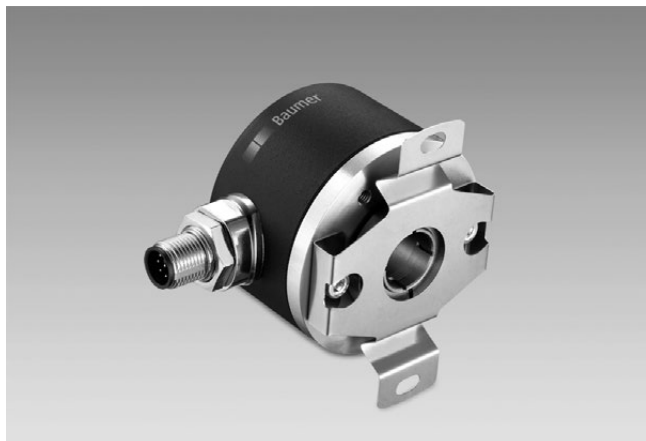


# Absolute encoders - bus interfaces

Blind hollow shaft

Magnetic single- or multiturn encoders 14 bit ST / 18 bit MT

## EAM580R-B - CANopen® - MAGRES redundant



EAM580R with hollow shaft

### Features

- Encoder single- or multiturn / CANopen® redundant
- Redundant sensing with galvanical separation
- ISO 13849 compliant firmware
- Resolution max. 32 bit (14 bit ST, 18 bit MT)
- E1 compliant design
- High protection IP 67
- High resistance to shock and vibrations
- Protection against corrosion C5-M
- Wire cross section 0.5 mm<sup>2</sup>

### Technical data - electrical ratings

Voltage supply	10...30 VDC
Consumption typ.	35 mA (24 VDC, w/o load)
Initializing time	≤170 ms after power on
Interface	CANopen®
Function	Multiturn, Singleturn
Profile conformity	CANopen® CiA communication profile DS 301, LSS profile DSP 305, device profile DS 406
Steps per revolution	≤16384 / 14 bit
Number of revolutions	≤262144 / 18 bit
Absolute accuracy	±0.15 ° (+20 ±15 °C) ±0.25 ° (-40...+85 °C)
Sensing method	Magnetic
Code sequence	CW: ascending values with clockwise sense of rotation; looking at flange
Output stages	CAN-Bus, LV (3.3 V) compatible ISO 11898
Interference immunity	DIN EN 61000-6-2 ISO 11452-2:2004* / -5:2002* ISO 7637-2:2004* ISO 10605:2008 + Amd 1:2014 (CD ±8 kV / AD ±15 kV) * Severity level according to ECE R10 (Rev. 4)
Emitted interference	DIN EN 61000-6-4 CISPR 25:2008 (30..1000 MHz) ISO 7637-2:2004* * Severity level according to ECE R10 (Rev. 4)

### Technical data - mechanical design

Size (flange)	ø58 mm
Shaft type	ø10...15 mm (blind hollow shaft)
Protection DIN EN 60529	IP 67 (with shaft seal)
Operating speed	≤6000 rpm
Starting torque	≤2.5 Ncm (+20 °C, IP 67)
Moment of inertia	46.75 gcm <sup>2</sup>
Materials	Housing: steel, powder-coated Flange: aluminium Hollow shaft: stainless steel
Corrosion protection	IEC 60068-2-52 Salt mist for ambient conditions C5-M (CX) according to ISO 12944-2
Operating temperature	-40...+85 °C (see general information)
Relative humidity	95 %
Resistance	DIN EN 60068-2-6 Vibration 30 g, 10-2000 Hz DIN EN 60068-2-27 Shock 500 g, 1 ms
Weight approx.	250 g
Connection	Flange connector M12, 5-pin Cable 2 m
Instruction	Use in safety functions exclusively based on Application Note and MTTFd reliability prediction (request separately).

# Absolute encoders - bus interfaces

Blind hollow shaft

Magnetic single- or multiturn encoders 14 bit ST / 18 bit MT

**EAM580R-B - CANopen® - MAGRES redundant**

## Part number

EAM580R-B 

		.	7		C8	.	14		0.A
--	--	---	---	--	----	---	----	--	-----

### Resolution multiturn

00 No option

18 18 bit

### Resolution singleturn

14 14 bit

### Voltage supply / signals

C8 10...30 VDC / CANopen® redundant (DS406)

### Connection

N Flange connector M12, 5-pin, radial, male contacts, CCW

L Cable 2 m, radial

### Protection

7 IP 67

### Specification hollow shaft

A ø10 mm, clamping ring at A side

C ø12 mm, clamping ring at A side

E ø14 mm, clamping ring at A side

F ø15 mm, clamping ring at A side

### Flange

N Without stator coupling

A With stator coupling ø68 mm

## Accessories

### Connectors and cables

11046264 Female connector M12, 5-pin, straight, shielded, 2 m cable

11046266 Female connector M12, 5-pin, straight, shielded, 5 m cable

# Absolute encoders - bus interfaces

## Blind hollow shaft

### Magnetic single- or multiturn encoders 14 bit ST / 18 bit MT

#### EAM580R-B - CANopen® - MAGRES redundant

##### CANopen® features

Operating modes	- Timer-driven (Event-Time) - Synchronously triggered (Sync)
Node Monitoring	Heartbeat Node guarding
Programmable parameters	Operating modes Total resolution Scalling
Diagnosis	Multiturn sensing Position error Temperature exceeding Speed exceeding
Default	50 kbit/s Channel A: Node ID 1 Channel B: Node ID 2

##### General information

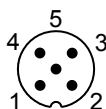
Self-heating interrelated to speed, protection, attachment method and ambient conditions as well electronics and supply voltage must be considered for precise thermal dimensioning. Self-heating is supposed to approximates 12 K (IP 67 protection) per 1000 rpm. Operating the encoder close to the maximum limits requires measuring the real prevailing temperature at the encoder flange.

##### Terminal assignment

<b>Cable</b> for connection reference <b>-L</b>	
Core colour	Signals
white	0 V
brown	+Vs
green	CAN_H
yellow	CAN_L
grey	CAN_GND
Cable data: 5 x 0.5 mm <sup>2</sup>	

##### Flange connector M12, 5-pin for connection reference **-N**

Pin	Signals
1	CAN_GND
2	+Vs
3	0 V
4	CAN_H
5	CAN_L



# Absolute encoders - bus interfaces

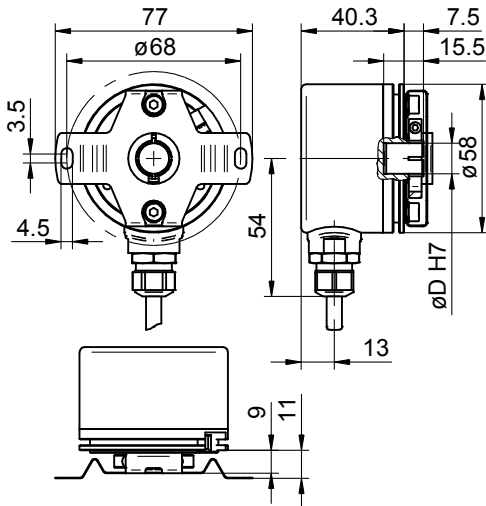
Blind hollow shaft

Magnetic single- or multiturn encoders 14 bit ST / 18 bit MT

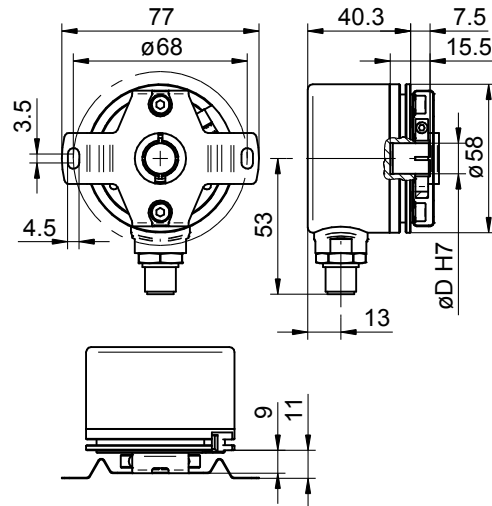
## EAM580R-B - CANopen® - MAGRES redundant

### Dimensions

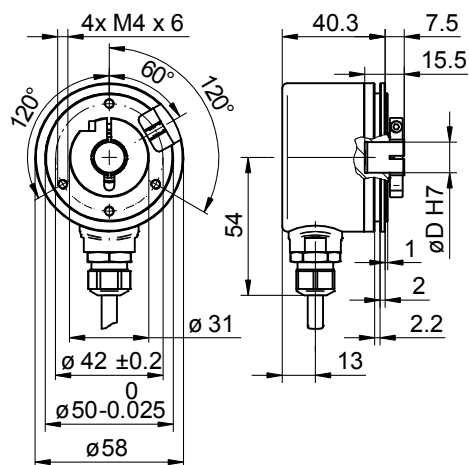
EAM580R, cable with stator coupling



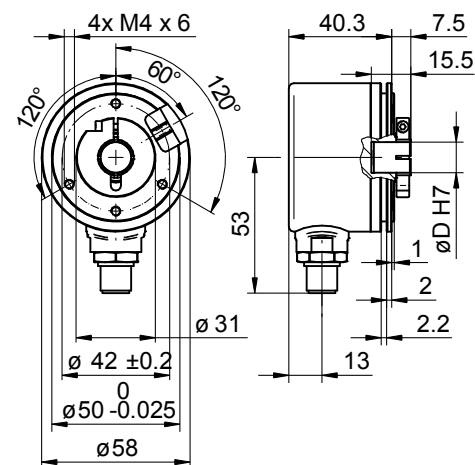
EAM580R, M12 with stator coupling



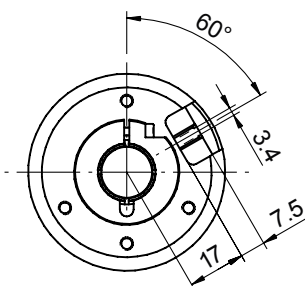
EAM580R, cable w/o stator coupling



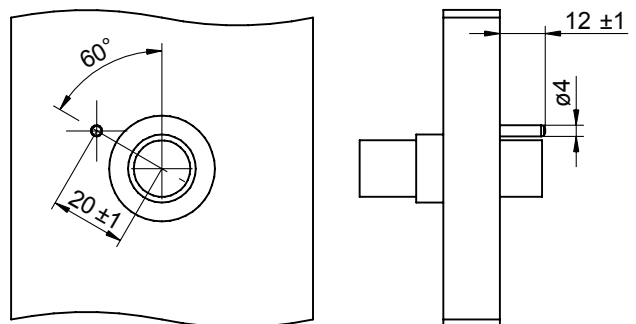
EAM580R, M12 w/o stator coupling



Torque pin support



Bore torque pin



# Absolute encoders - bus interfaces

Blind hollow shaft

Magnetic single- or multiturn encoders 14 bit ST / 18 bit MT

EAM580R-B - CANopen® - MAGRES redundant

## Dimensions

### Hollow shaft mounting

