

Absolute encoders - bus interfaces

Solid shaft with synchro flange

Magnetic single- or multiturn encoders 14 bit ST / 18 bit MT

EAM580-SY - CANopen® - MAGRES



EAM580-SY with synchro flange

Features

- Encoder single- or multiturn / CANopen®
- Precise magnetic sensing
- Angular accuracy up to $\pm 0.15^\circ$
- Additional incremental signals
- High protection up to IP 67
- High resistance to shock and vibrations
- Electronic gear function

Optional

- Protection against corrosion C5-M

Technical data - electrical ratings

Voltage supply	10...30 VDC
Consumption typ.	20 mA (24 VDC, w/o load)
Initializing time	≤ 170 ms after power on
Data currency	< 1 ms
Interfaces	CANopen®, CANopen®-Lift, CANopen® + incremental
Function	Multiturn, Singleturn
Profile conformity	CANopen® CiA communication profile DS 301, LSS profile DSP 305, device profile DS 406, DS 417
Steps per revolution	≤ 16384 / 14 bit
Number of revolutions	≤ 262144 / 18 bit
Absolute accuracy	$\pm 0.15^\circ$ (+20 $\pm 15^\circ\text{C}$) $\pm 0.25^\circ$ (-40...+85 $^\circ\text{C}$)
Sensing method	Magnetic
Code sequence	CW: ascending values with clockwise sense of rotation; looking at flange
Output stages	CAN-Bus, LV (3.3 V) compatible ISO 11898 Incremental: linedriver RS422 or push-pull (option)
Incremental output	1024, 2048, 4096 ppr (other on request)
Output signals	A+, A-, B+, B-
Output frequency	≤ 350 kHz
Interference immunity	DIN EN 61000-6-2
Emitted interference	DIN EN 61000-6-4

Technical data - mechanical design

Size (flange)	$\varnothing 58$ mm
Shaft type	$\varnothing 6 \times 10$ mm, solid shaft with flat
Flange	Synchro flange
Protection DIN EN 60529	IP 65 (without shaft seal), IP 67 (with shaft seal)
Operating speed	≤ 6000 rpm
Starting torque	≤ 2 Ncm (+20 $^\circ\text{C}$, IP 65) ≤ 2.5 Ncm (+20 $^\circ\text{C}$, IP 67)
Moment of inertia	15.38 gcm ²
Admitted shaft load	≤ 40 N axial ≤ 80 N radial
Materials	Housing: steel zinc-coated Flange: aluminium Shaft: stainless steel
Operating temperature	-40...+85 $^\circ\text{C}$ (see general information)
Relative humidity	95 %
Resistance	DIN EN 60068-2-6 Vibration 30 g, 10-2000 Hz DIN EN 60068-2-27 Shock 500 g, 1 ms
Weight approx.	250 g
Connection	Flange connector M12, 5-pin Flange connector M12, 8-pin Cable 2 m

Absolute encoders - bus interfaces

Solid shaft with synchro flange

Magnetic single- or multiturn encoders 14 bit ST / 18 bit MT

EAM580-SY - CANopen® - MAGRES

Part number

EAM580-S Y 6 14A

- | | |
|--|---|
| | Resolution incremental signals |
| | 0 Without incremental signals |
| | H 4096 pulses, TTL (RS422) |
| | 8 2048 pulses, TTL (RS422) |
| | 5 1024 pulses, TTL (RS422) |
| | Resolution multiturn |
| | 00 No option |
| | 18 18 bit |
| | Resolution singleturn |
| | 14 14 bit |
| | Voltage supply / signals |
| | C6 10...30 VDC / CANopen® (DS406) |
| | C7 10...30 VDC / CANopen®-Lift (DS417) |
| | Connection |
| | B Flange connector M12, 8-pin, radial, male contact, CCW* |
| | N Flange connector M12, 5-pin, radial, male contacts, CCW |
| | L Cable 2 m, radial |
| | Protection |
| | 5 IP 65 |
| | 7 IP 67 |
| | Specification solid shaft |
| | 6 ø6 x 10 mm, with flat |
| | Flange |
| | Y Synchro flange, flute ø53 mm, M3/M4 |

* Only available for CANopen with incremental signals

Absolute encoders - bus interfaces

Solid shaft with synchro flange

Magnetic single- or multiturn encoders 14 bit ST / 18 bit MT

EAM580-SY - CANopen® - MAGRES

Accessories

Connectors and cables

11046264	Female connector M12, 5-pin, straight, shielded, 2 m cable
11046266	Female connector M12, 5-pin, straight, shielded, 5 m cable
10127844	Female connector M12, 8-pin, straight, shielded, 2 m cable
11201509	Cable with male/female M12, 5-pin, straight, A-coded, 2 m (ESG 34C/KSG34C)
11201520	Cable with male/female M12, 5-pin, straight, A-coded, 5 m (ESG 34C/KSG34C)

General information

Self-heating interrelated to speed, protection, attachment method and ambient conditions as well electronics and supply voltage must be considered for precise thermal dimensioning. Self-heating is supposed to approximate 3 K (IP 65 protection) respectively 8 K (IP 67 protection) per 1000 rpm. Operating the encoder close to the maximum limits requires measuring the real prevailing temperature at the encoder flange.

Terminal assignment

Cable

for connection reference **-L**

Core colour	W/o incremental	With incremental
white	0 V	0 V
brown	+Vs	+Vs
green	CAN_H	CAN_H
yellow	CAN_L	CAN_L
grey	CAN_GND	A+
pink	n.c.	A-
blue	n.c.	B+
red	n.c.	B-

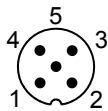
Screen: connected to housing

Cable data: 4 x 2 x 0.14 mm²

Flange connector M12, 5-pin

for connection reference **-N**

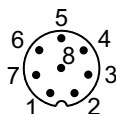
Pin	W/o incremental
1	CAN_GND
2	+Vs
3	0 V
4	CAN_H
5	CAN_L



Flange connector M12, 8-pin

for connection reference **-B**

Pin	With incremental
1	0 V
2	+Vs
3	CAN_H
4	CAN_L
5	A+
6	A-
7	B+
8	B-



Absolute encoders - bus interfaces

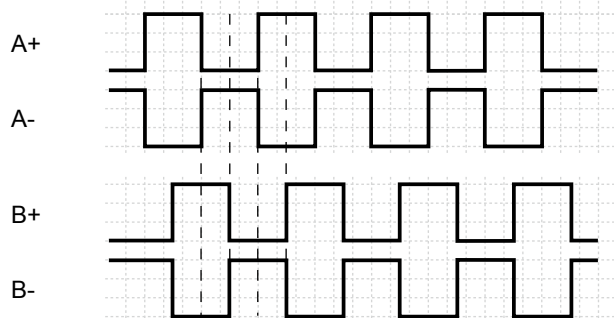
Solid shaft with synchro flange

Magnetic single- or multiturn encoders 14 bit ST / 18 bit MT

EAM580-SY - CANopen® - MAGRES

Output signals

Incremental signals: clockwise rotating direction when looking at flange.



CANopen® features

Operating modes	Timer-driven (Event-Time) Synchronously triggered (Sync)
Node Monitoring	Heartbeat Node guarding
Programmable parameters	Operating modes Total resolution Scaling Electronic gear function
Diagnosis	Multiturn sensing Position error Temperature exceeding Speed exceeding
Default	50 kbit/s, Node ID 1 (DS406) 250 kbit/s, Node ID 4 (DS417)

Trigger level

RS422

Output level High	>2.3 V
Output level Low	<0.5 V
Load	<20 mA

Push-pull

Output level High	$\geq +VS - 2.2 V$
Output level Low	<0.7 V
Load	<20 mA

Applies to standard cable lengths up to 2 m, for longer cables the voltage drop must be taken into account.

Absolute encoders - bus interfaces

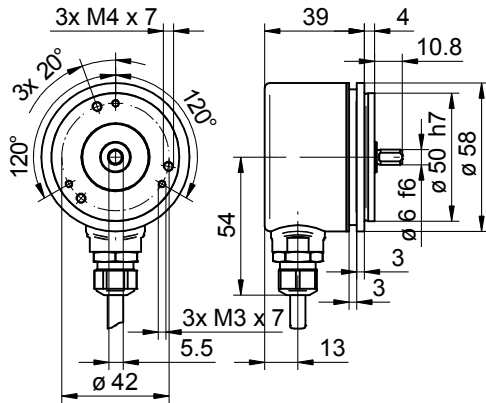
Solid shaft with synchro flange

Magnetic single- or multiturn encoders 14 bit ST / 18 bit MT

EAM580-SY - CANopen® - MAGRES

Dimensions

EAM580-SY with cable



EAM580-SY with flange connector M12

