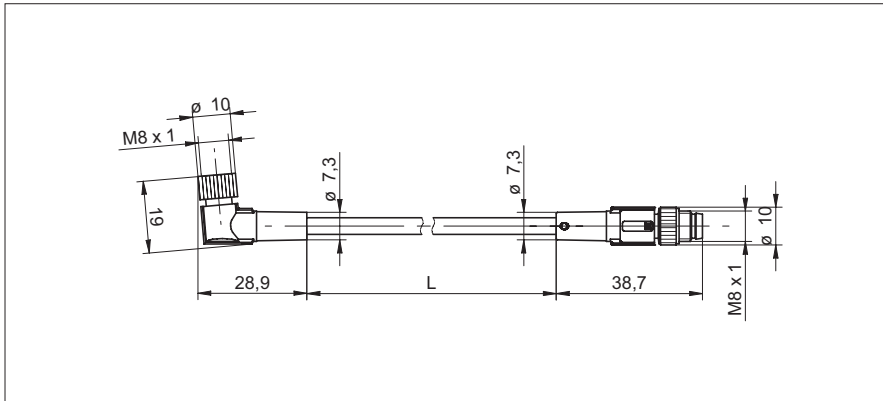


# connecting cable socket, angled M8 4-wire – plug, straight M8 3-wire

**dimension drawing**



- 3-wire
- PUR halogen-free
- suitable for flexible cable carriers
- self-locking cap nut
- UL listing file No. E315836

**General data**

Rated current at 40 °C	4 A
Rated voltage	30 V
Number of positions	4/3
Volume resistance	≤ 5 mΩ
Insulation resistance	≥ 100 MΩ
Length of cable	see listing
Ambient temperature (operation)	-25 ... 90 °C (Male connector/female connector)

**General characteristics**

Standards/regulations	M8 connector IEC 61076-2-104
Coding	A-standard
Surge voltage category	II
Pollution degree	3
Degree of protection	IP65/IP67/IP68
Contact material	CuSn
Contact surface material	Ni/Au
Contact carrier material	TPU GF
Material of grip body	TPU, hardly inflammable, self-extinguishing
Material, knurls	Zinc die-cast, (nickel-plated)
Sealing material	NBR
Status display	no

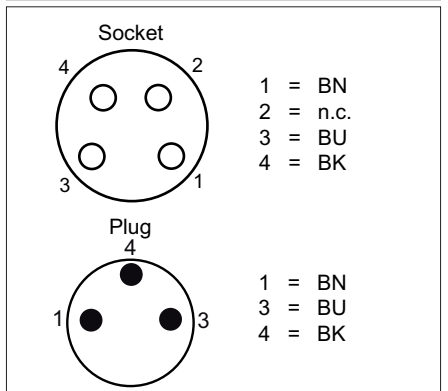
**Conductor data**

Cable type	PUR halogen-free black
Cable abbreviation	Li9Y11Y-HF
Conductor cross section	0,25 mm <sup>2</sup>
AWG signal line	24
Conductor structure, signal line	32x0,10 mm
Core diameter including insulation	1,15 mm ±0,05 mm
External cable diameter	4,4 mm
Wire colors	Brown, blue, black
External sheath, color	Black-gray RAL 7021

Typ	Mat.-No.	L
ESW 31A/KSG32SH0100	10149636	1,00 m
ESW 31A/KSG32SH0200	10149637	2,00 m
ESW 31A/KSG32SH0500	10149639	5,00 m

other lengths on request

**pin assignment**



## connecting cable socket, angled M8 4-wire – plug, straight M8 3-wire

<b>Conductor data (cont.)</b>	
Conductor resistance	≤ 77,6 Ω/km (at 20 °C)
Nominal voltage, conductor	300 V
Test voltage, conductor	4000 V
Overall twist	3 wires, twisted
Outer sheath, material	PUR
Conductor material	Bare Cu litz wires
Cable weight	23 kg/km
Smallest bending radius, movable installation	44 mm
Number of bending cycles	4'000'000
Bending radius	44 mm
Traversing path	10 m
Traversing rate	3 m/s
Acceleration	10 m/s <sup>2</sup>
Ambient temperature (operation)	-40 ... 80 °C (cable, fixed installation) -5 ... 80 °C (cable, flexible installation)
Special properties	suitable for flexible cable carriers Silicone-free Free of substances which would hinder coating with paint or varnish
Flame resistance	As per UL-Style 20549
Halogen-free	As per DIN VDE 0472 part 815
Resistance to oil	complying with DIN EN 60811-2-1
Other resistance	Highly resistant to acids, alkaline solutions and solvents hydrolysis and microbe resistant