

overview

- 4096 × 2160 px
- Sony IMX255
- 1" CMOS
- 95 fps
- 10 GigE
- available



technical data

sensor information		image preprocessing	
sensor	Sony IMX255	analog controls	Gain (0 ... 48 dB) Offset (0 ... 255 LSB 12 Bit)
resolution	4096 × 2160 px	color models	Mono Raw Bayer RGB BGR
exposure time	0,001 ... 60000 ms	camera features	
pixel size	3.45 × 3.45 µm	synchronization	free running trigger
shutter type	Global shutter	trigger sources	Hardware software ActionCommand
sensor type	1" CMOS	trigger delay	0 ... 2 sec, tracking and buffering of up to 256 trigger signals
acquisition formats		internal image buffer	1024 MB 109 images (Trigger Mode) 1 image (Free Running Mode)
image formats, interface frame rate max.	Full Frame, 4096 × 2160 px, max. 95 fps Binning 2×2, 2048 × 1080 px, max. 95 fps Binning 2×1, 2048 × 2160 px, max. 95 fps Binning 1×2, 4096 × 1080 px, max. 95 fps	interfaces and connectors	
image formats, acquisition frame rate max. (Burst Mode)	Full Frame, 4096 × 2160 px, max. 95 fps	data interface	10 Gigabit Ethernet, Transfer rate 10000 Mbits/sec, Gigabit Ethernet, Transfer rate 1000 Mbits/sec, Fast Ethernet, Transfer rate 100 Mbits/sec, Connector: M12 / 8-pol x-coded (SACC-CI-M12FS-8CON-L180-10G)
pixel formats	BayerRG8 BayerRG10 BayerRG12 BayerRG12 Packed Mono8 Mono10 Mono12 Mono12 Packed RGB8 BGR8	process interface	M12 / 12 pins a-coded (SACC-CI-M12MS-12CON-L180)
		power supply	via M12/12 pins a-coded
		mechanical data	
		lens mount	C-mount

2019-11-27 The product features and technical data specified do not express or imply any warranty. Technical modifications subject to change.

technical data

mechanical data

width	60 mm
height	60 mm
depth	99,7 mm
weight	≤ 485 g
material	aluminum

electrical data

voltage supply range +Vs	12 ... 24 V DC (external power supply)
power consumption	approx. 10,8 W @ 12 VDC and 95 fps

non-volatile memory

flash memory size	128 kB
-------------------	--------

environmental conditions

operating temperature	0 ... +65 ° @ T = measurement point
humidity	10 ... 90 % (non-condensing)

environmental conditions

protection class	IP 40 IP 54 (with mounted tube and cable) IP 65 (with mounted tube and cable) IP 67 (with mounted tube and cable)
------------------	--

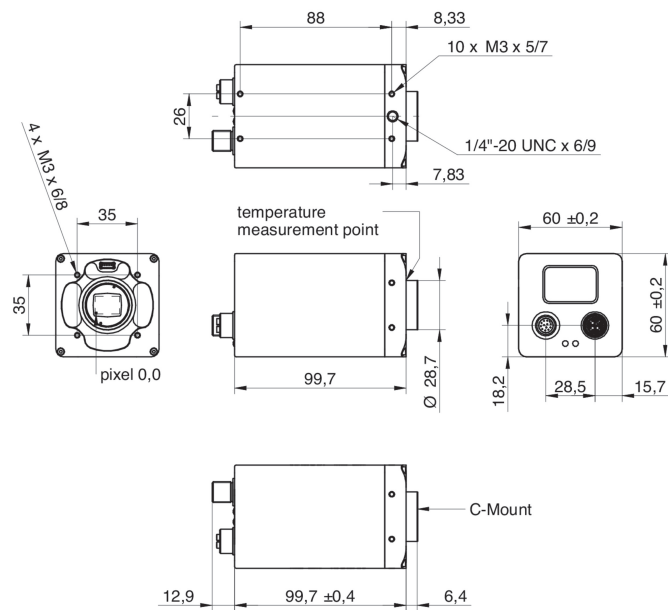
digital I/Os

lines	2 input lines 4 output lines with pulse width modulation (PWM) (max. 48 V / max. 2,5 A) RS232
-------	---

conformity

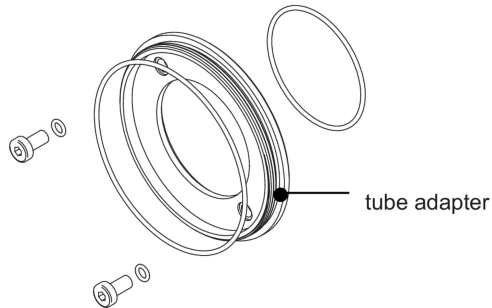
conformity	CE RoHS EAC
------------	-------------------

dimension drawing

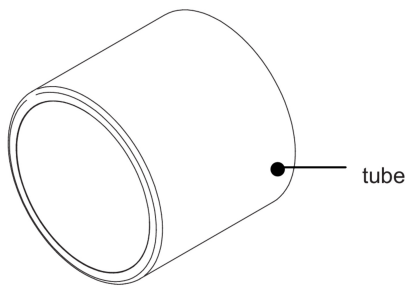


Principle

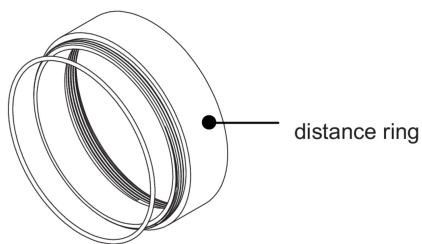
Optional accessories for protection class IP65/67:



- tube adapter
- Ø 49,5 mm, hard-anodized, incl. sealing and screws (VCXG.I 11185373)
 - Ø 65 mm, hard-anodized, incl. sealing and screws (VCXG.I 11185377; VLXT 11193125)



- tube
- Ø 49,5 mm, length 44 mm, hard-anodized, cover glass PMMA (11185370)
 - Ø 65 mm, length 58 mm, hard-anodized, cover glass PMMA (11185374)
 - Ø 49,5 mm, length 44 mm, hard-anodized, tempered laminated safety glass (11195425)
 - Ø 65 mm, length 58 mm, hard-anodized, tempered laminated safety glass (11195426)



- distance ring
- Ø 49,5 mm, length 12 mm, hard-anodized, incl. sealing (11185371)
 - Ø 49,5 mm, length 6 mm, hard-anodized, incl. sealing (11185372)
 - Ø 65 mm, length 12 mm, hard-anodized, incl. sealing (11185375)
 - Ø 65 mm, length 6 mm, hard-anodized, incl. sealing (11185376)
 - Ø 65 mm, length 36 mm, hard-anodized, incl. sealing (111988906)