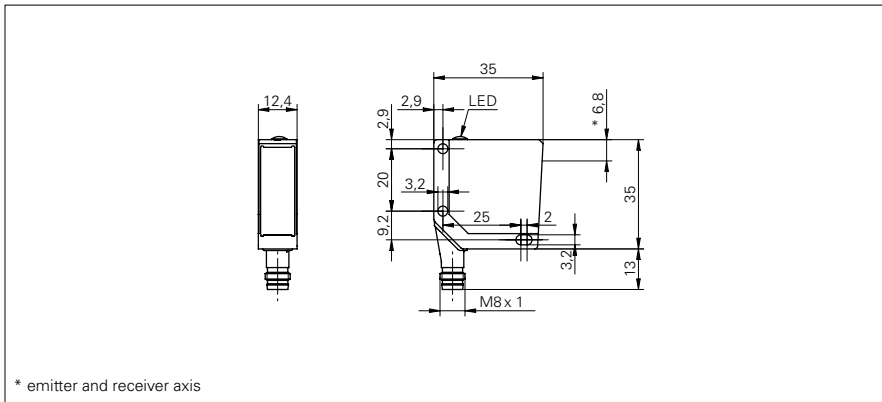


Retro-reflective sensors

OPDM 12N5101/S35A

dimension drawing



general data

type	retro-reflective laser sensor
version	single lens optics
light source	pulsed red laser diode
actual range S_b	7 m
nominal range S_n	8 m
repeat accuracy	< 0,1 mm at laser focus
polarization filter	yes
alignment / soiled lens indicator	flashing light indicator
light indicator	LED yellow
power on indication	LED green
sensitivity adjustment	no
laser class	2
distance to focus	400 mm
wave length	650 nm

electrical data

response time / release time	< 0,1 ms
voltage supply range +Vs	10 ... 30 VDC
current consumption max. (no load)	50 mA
current consumption typ.	40 mA
voltage drop V_d	< 1,8 VDC
output function	light / dark operate
output circuit	NPN
output current	< 100 mA
short circuit protection	yes
reverse polarity protection	yes

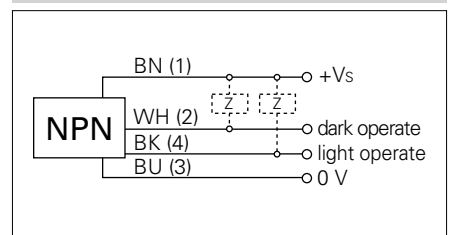
mechanical data

width / diameter	12,4 mm
height / length	35 mm
depth	35 mm
type	rectangular
housing material	die-cast zinc
front (optics)	glass
connection types	connector M8 4 pin

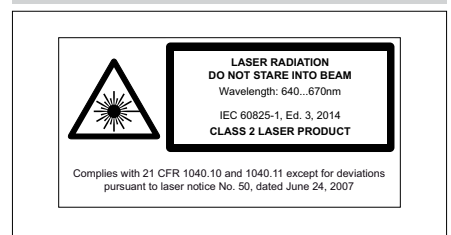
photo



connection diagram



laser warning



Retro-reflective sensors**OPDM 12N5101/S35A****ambient conditions**

operating temperature	-10 ... +50 °C
protection class	IP 67