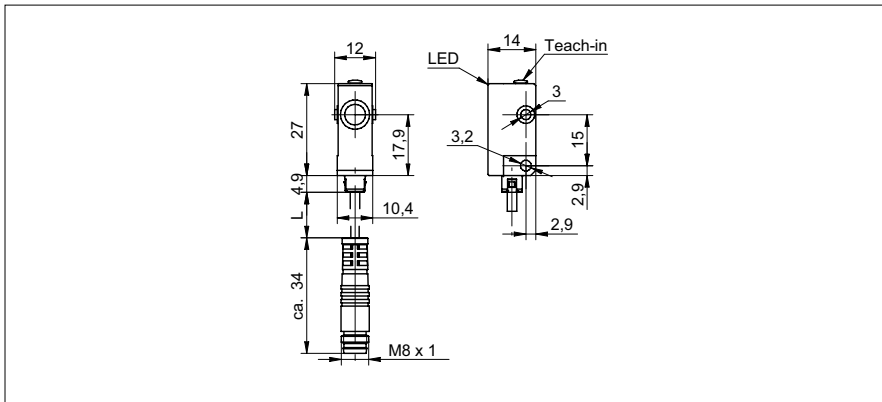


Ultrasonic proximity sensors

UNDK 10P8914/KS35A

dimension drawing



general data

scanning range Sd	10 ... 200 mm
scanning range far limit Sde	30 ... 200 mm
hysteresis typ.	4 % Sde
repeat accuracy	< 0,5 mm
temperature drift	< 0,18 % Sde/K
response time ton	< 15 ms
release time toff	< 15 ms
sonic frequency	380 kHz
adjustment	Teach-in
alignment aid	target indication flashing
output indicator	LED green

electrical data

voltage supply range +Vs	12 ... 30 VDC
current consumption max. (no load)	35 mA
output circuit	PNP make function (NO) / break function (NC)
output current	< 200 mA
voltage drop Vd	< 2 VDC
residual ripple	< 10 % Vs
short circuit protection	yes
reverse polarity protection	yes

mechanical data

type	rectangular
housing material	plastic (ASA)
width / diameter	10,4 mm
height / length	27 mm
depth	14 mm
connection types	flylead connector M8, L=200 mm

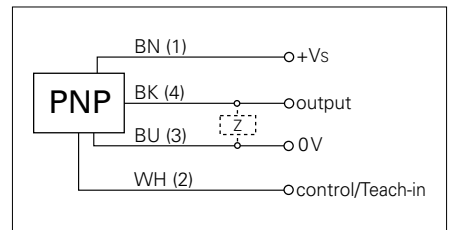
ambient conditions

operating temperature	-10 ... +60 °C
protection class	IP 67

photo



connection diagram



- make function/break function, programmable

Ultrasonic proximity sensors

UNDK 10P8914/KS35A

typical sonic cone profile

