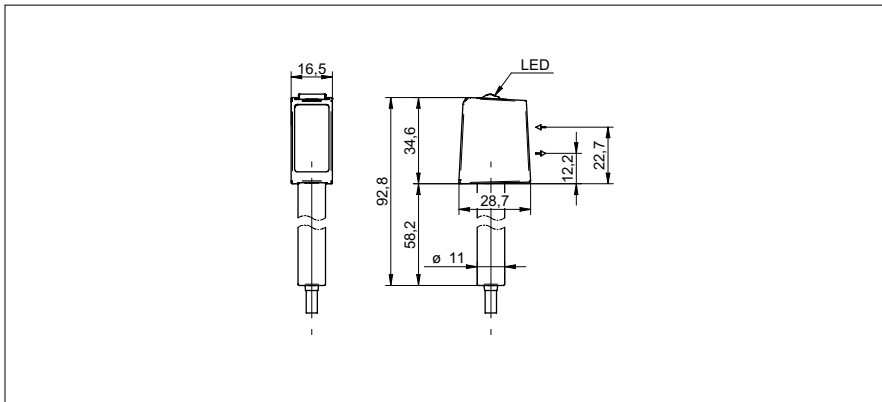


# SmartReflect Light barriers

**O300H.SL-11179007**

**dimension drawing**



**general data**

type	light barrier
special type	hygienic design
version	standard object detection
light source	pulsed red laser diode
background position Sde	30 ... 250 mm
scanning range Sa	90% ... 85% Sde
repeat accuracy	< 0,1 mm at 100 mm
power on indication	LED green
light indicator	LED yellow
sensing distance adjustment	Teach-in and IO-Link
laser class	1
distance to focus	400 mm
wave length	656 nm
suppression of reciprocal influence	yes
alignment optical axis	< 2°
approvals/certificates	Ecolab

**electrical data**

response time / release time	< 0,25 ms
voltage supply range +Vs	11 ... 30 VDC
current consumption max. (no load)	30 mA
current consumption typ.	25 mA
voltage drop Vd	< 2,5 VDC
output function	light / dark operate
output circuit	push-pull
output current	< 100 mA
short circuit protection	yes
reverse polarity protection	yes

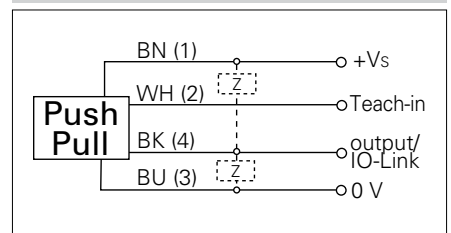
**mechanical data**

width / diameter	16,5 mm
height / length	34,6 mm
depth	28,7 mm
type	rectangular
housing material	stainless steel 1.4404 (V4A)
front (optics)	PMMA
connection types	cable 4 pin, 2 m

**photo**



**connection diagram**



**laser warning**

**CLASS 1 LASER PRODUCT**

IEC 60825-1/2014  
Complies with 21 CFR 1040.10 and 1040.11  
except for deviations pursuant to laser  
notice No. 50, dated June 24, 2007



**SmartReflect Light barriers**

**O300H.SL-11179007**

**ambient conditions**

operating temperature	-10 ... +60 °C
protection class	IP 68/69K & proTect+

- magnetic Teach
- IO-Link: V1.1, filter functions, qTeach lock adjustable

**beam characteristic (typically)**

