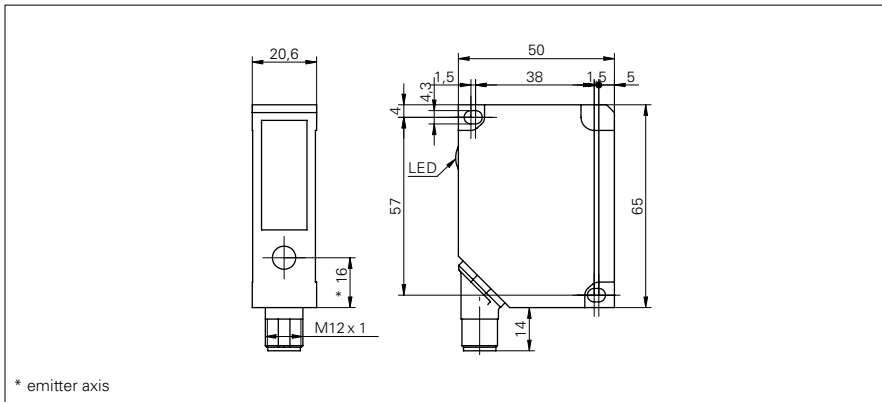


**Distance sensors**

**OADM 20I5481/S14C**

**dimension drawing**



**general data**

|                       |                        |
|-----------------------|------------------------|
| measuring distance Sd | 200 ... 1000 mm        |
| adjustment            | no                     |
| power on indication   | LED green              |
| soiled lens indicator | LED red                |
| resolution            | 0,6 ... 2,5 mm         |
| linearity error       | ± 2,4 ... ± 10 mm      |
| light source          | pulsed red laser diode |
| wave length           | 650 nm                 |
| laser class           | 2                      |
| beam type             | point                  |
| beam diameter         | 2 mm                   |
| temperature drift     | < 0,06 % Sde/K         |

**electrical data**

|                                    |                        |
|------------------------------------|------------------------|
| response time / release time       | < 10 ms                |
| voltage supply range +Vs           | 12 ... 28 VDC          |
| current consumption max. (no load) | 100 mA                 |
| output circuit                     | analog                 |
| output signal                      | 4 ... 20 mA            |
| load resistance (analog I)         | < (+Vs - 6 V) / 0,02 A |
| alarm output                       | PNP                    |
| short circuit protection           | yes                    |
| reverse polarity protection        | yes, Vs to GND         |

**mechanical data**

|                  |                                |
|------------------|--------------------------------|
| width / diameter | 20,6 mm                        |
| height / length  | 65 mm                          |
| depth            | 50 mm                          |
| type             | rectangular                    |
| housing material | die-cast zinc                  |
| front (optics)   | glass                          |
| connection types | connector M12 5 pin, rotatable |

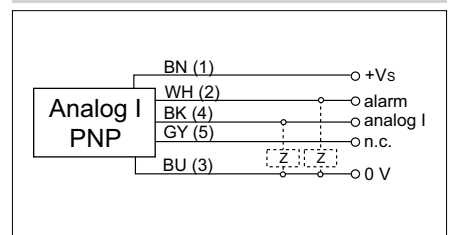
**ambient conditions**

|                       |              |
|-----------------------|--------------|
| operating temperature | 0 ... +50 °C |
| protection class      | IP 67        |

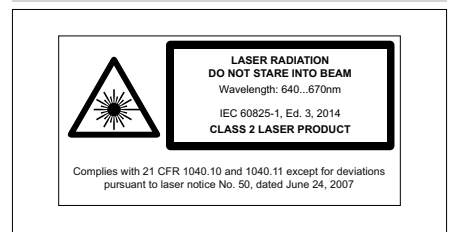
**photo**



**connection diagram**



**laser warning**



- linearity error: ±1,2% of measuring distance