

Combination

Encoder with integrated centrifugal switch

Blind hollow shaft or cone shaft

300...5000 pulses per revolution

HOG 11 + FSL



HOG 11 + FSL

Features

- Offshore and salt water firm, high protection IP 67
- TTL output driver for cable length up to 550 m
- Mechanical speed monitoring based on centrifugal force
- Hybrid bearing for extended service life
- Terminal boxes, turn by 180°

Optional

- Function control with EMS (Enhanced Monitoring System)
- Redundant sensing with two terminal boxes
- With heating up to -50°C

Technical data - electrical ratings

Shaft insulation	Suitable up to 2.8 kV
Transmission length	≤350 m at 100 kHz (HTL-P) ≤550 m at 100 kHz (TTL)
Interference immunity	EN 61000-6-2
Emitted interference	EN 61000-6-3
Approval	CE

Technical data - electrical ratings (encoder)

Voltage supply	9...30 VDC; 5 VDC ±5 %
Consumption w/o load	≤100 mA
Pulses per revolution	300...5000
Phase shift	90° ±20°
Duty cycle	40...60 %
Reference signal	Zero pulse, width 90°
Output frequency	≤120 kHz ≤300 kHz (on request)
Output signals	K1, K2, K0 + inverted Error output (option EMS)
Output stages	HTL-P (power linedriver) TTL/RS422
Sensing method	Optical

Technical data - electrical ratings (centrifugal switch)

Switching accuracy	±4 % ($\Delta n = 2$ rpm/s); = +20 % ($\Delta n = 1500$ rpm/s)
Switching deviation	≤3 % (cw-ccw rotation)
Switching hysteresis	~40 % of switching speed
Switching outputs	1 output, speed control
Output switching capacity	≤6 A / 230 VAC ≤1 A / 125 VDC
Minimum switching current	50 mA

Technical data - mechanical design

Size (flange)	ø105 mm
Shaft type	ø16...20 mm (blind hollow shaft) ø17 mm (cone shaft 1:10)
Admitted shaft load	≤450 N axial ≤600 N radial
Protection DIN EN 60529	IP 67
Speed (n)	≤1.25 · ns
Range of switching speed (ns)	850...4500 rpm ($\Delta n = 2$ rpm/s)
Operating torque typ.	6 Ncm
Rotor moment of inertia	680 gcm ²
Materials	Housing: aluminium die-cast Shaft: stainless steel
Operating temperature	-40...+100 °C -25...+100 °C (>3072 pulses per revolution) -50...+100 °C (optional)
Resistance	IEC 60068-2-6 Vibration 5 g, 10-2000 Hz IEC 60068-2-27 Shock 50 g, 11 ms
Corrosion protection	IEC 60068-2-52 Salt mist for ambient conditions CX (C5-M) according to ISO 12944-2
Connection	2x terminal box 3x terminal box (with option M)
Weight approx.	2.2 kg, 2.4 kg (with option M)

Combination

Encoder with integrated centrifugal switch

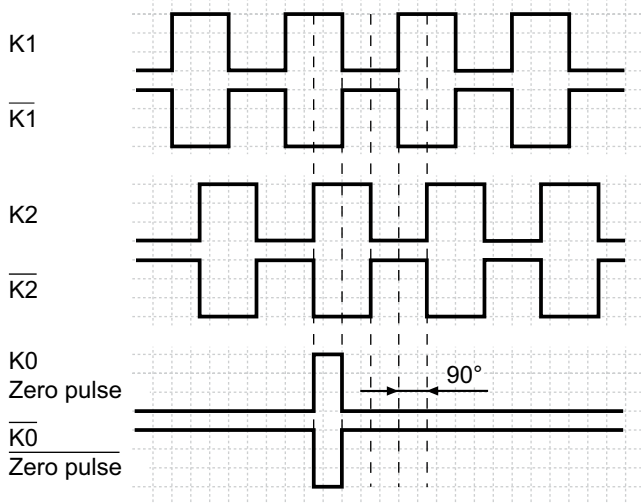
Blind hollow shaft or cone shaft

300...5000 pulses per revolution

HOG 11 + FSL

Output signals

At positive rotating direction



Option EMS: LED status / Error output

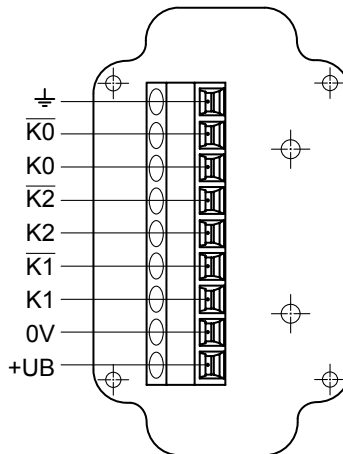
Flash light red*	Error of signal sequence, zero pulse or pulses (Error output = HIGH-LOW alternation)
Red	Overload output driver (Error output = LOW)
Flash light green	Device o.k., rotating (Error output = HIGH)
Green	Device o.k., stopped (Error output = HIGH)
No light	No voltage supply connection or wrong connection (Error output = LOW)

* Only at rotating device

Terminal assignment

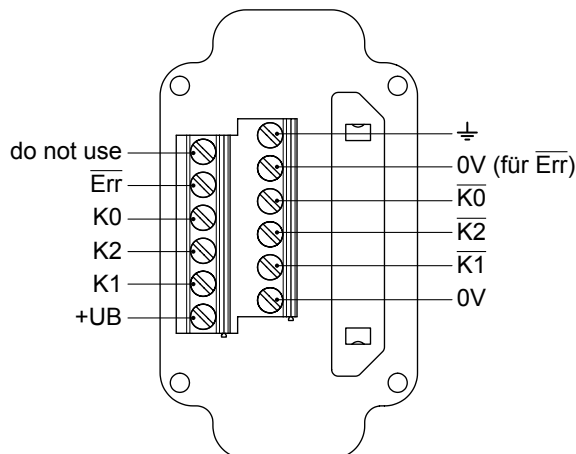
View A

Connecting terminal in terminal box HOG 11



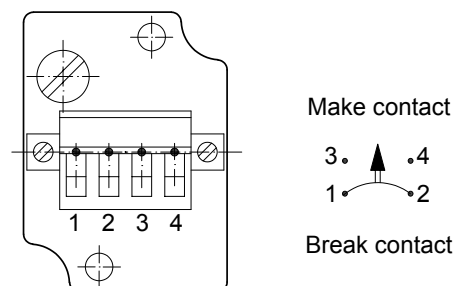
Option EMS: View A

Connecting terminal in terminal box HOG 11.2



View B

Connecting terminal mechanical centrifugal switch FSL



Accessories

Connectors and cables

HEK 8	Sensor cable for encoders
-------	---------------------------

Mounting accessories

11077197	Mounting kit for torque arm size M6 and earthing strap
----------	--

11077087	Mounting and dismantling set
----------	------------------------------

11043628	Torque arm M6, length 67-70 mm
----------	--------------------------------

11004078	Torque arm M6, length 120-130 mm (shortenable ≥ 71 mm)
----------	---

11002915	Torque arm M6, length 425-460 mm (shortenable ≥ 131 mm)
----------	--

11054917	Torque arm M6 insulated, length 67-70 mm
----------	--

11072795	Torque arm M6 insulated, length 120-130 mm (shortenable ≥ 71 mm)
----------	---

11082677	Torque arm M6 insulated, length 425-460 mm (shortenable ≥ 131 mm)
----------	--

Diagnostic accessories

11075858	Analyzer for encoders HENQ 1100
----------	---------------------------------

11075880	Analyzer for encoders HENQ 1100 with a power pack
----------	---

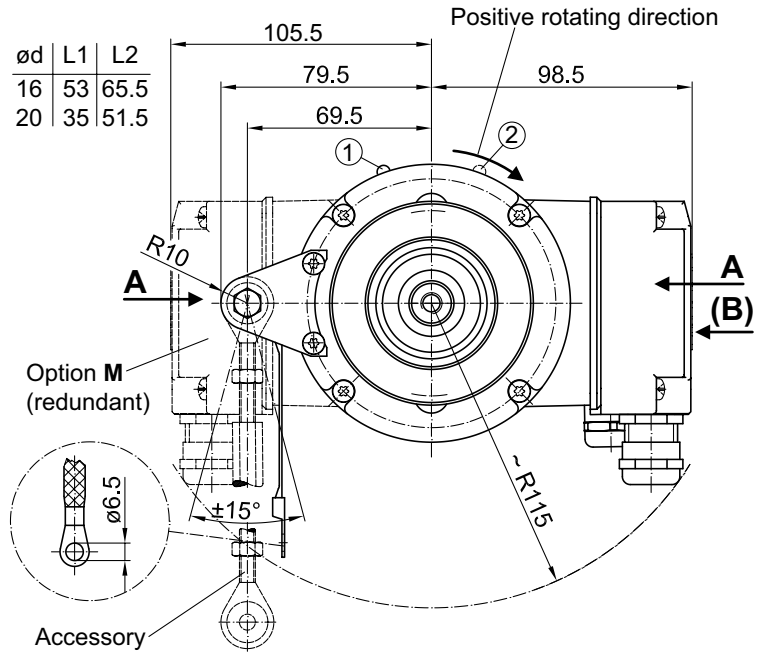
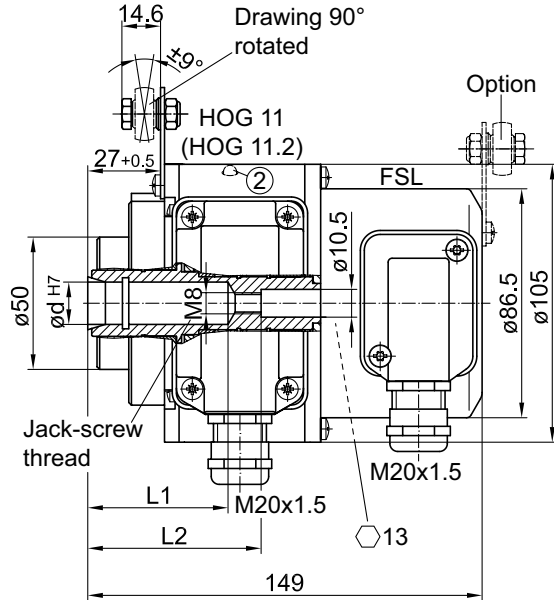
Combination

Encoder with integrated centrifugal switch
Blind hollow shaft or cone shaft
300...5000 pulses per revolution

HOG 11 + FSL

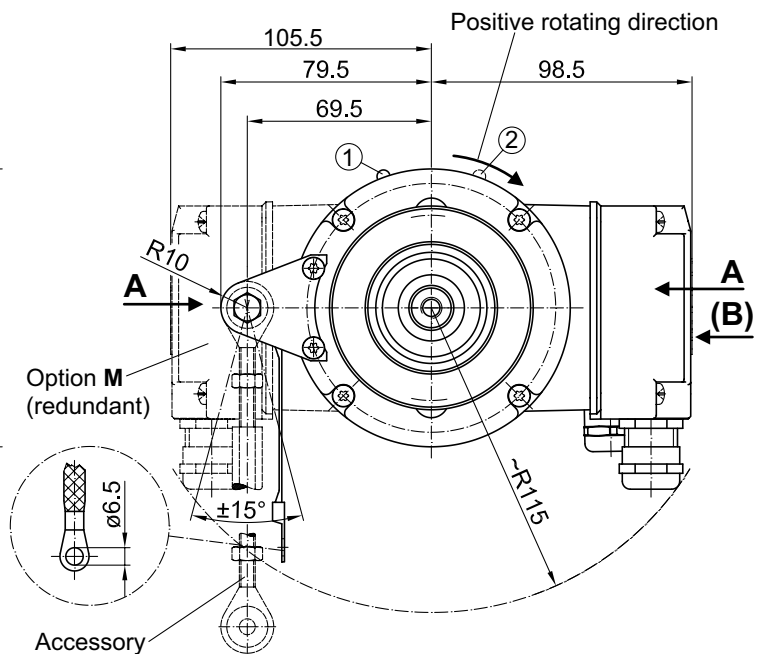
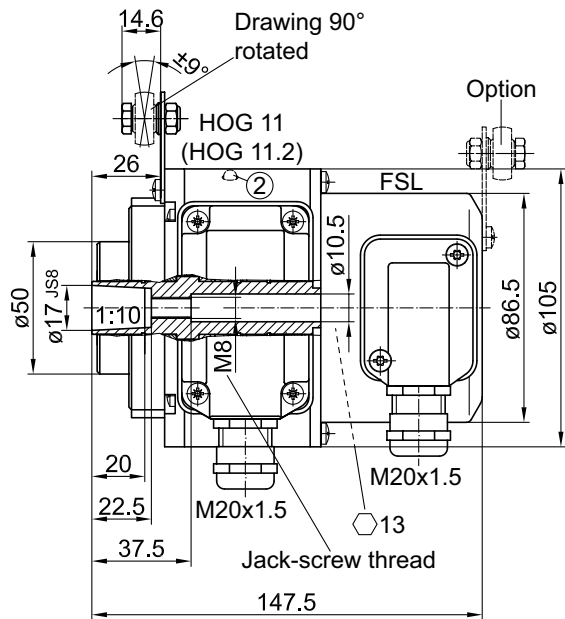
Dimensions

Blind hollow shaft



- ① Status LED (option EMS)
- ② Status LED (option **M** (redundant) and EMS)

Cone shaft



- ① Status LED (option EMS)
- ② Status LED (option **M** (redundant) and EMS)