

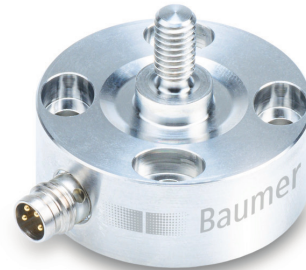
## DLM30-SO

Compact screw-on load cells for industrial applications

DLM30-SO.###.TP3.C4

### Overview

- Tension and compression load from 200 - 5'000 N
- Non-linearity < 0.2 %
- Mounting possibility on both sides
- Sensor body made of stainless steel with protection class IP68
- Fully welded sensor design
- Durable with 100% working stroke



### Technical data

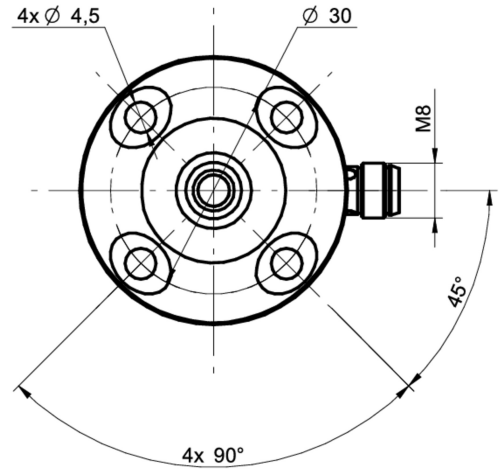
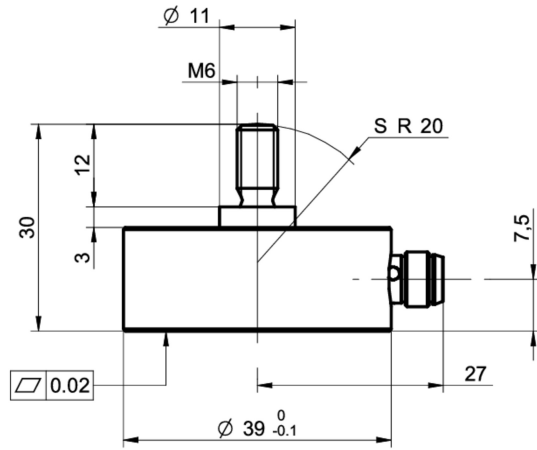
general data		mechanical data	
Nominal force	200 ... 5000 N	Nominal displacement	21 µm
Non-linearity	< 0.2 %	Weight	95 g
Repeatability	< 0.1 %	Material sensor body	Stainless steel, 1.4542
Temperature effect zero	< 0.2 % / 10K	Fatigue strength	>10 Mio cycles at 0...100% FS
Zero point deviation	< 20 %	Electrical connection	M8, 4 pin, male
Type	Screw-on	environmental conditions	
Mechanical mounting	4 x M4 screws / M6 thread	Operating temperature range	-40 ... 85 °C
electrical data		Storage temperature range	-40 ... 85 °C
Nominal sensitivity	1 mV/V	Protection class EN 60529, ISO20653	IP 68
Bridge resistance	1000 Ω	compliance and approvals	
Supply voltage	0.5 ... 12 VDC	EMC	EN 61000-6-2 EN 61000-6-3 EN 61326-2-3
Signal polarity positive	Tension	UL listed	E217824
mechanical data			
Overload	150 %		
Breaking load	200 %		

# DLM30-SO

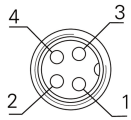
Compact screw-on load cells for industrial applications

DLM30-SO.###.TP3.C4

## Dimensional drawings



## Electrical connection



- 1 +Vs
- 2 Sig +
- 3 -Vs
- 4 Sig -

## Ordering key - Configuration possibilities see website

	DLM	30	-	SO	.	###	.	T	P3	.	C4
<b>Product group</b>	Membrane force sensor										
	DLM										
<b>Size category</b>	30										
		30									
<b>Type</b>	Screw-on										
				SO							
<b>Nominal force</b>	200 N										
											201
	500 N										
											501
	1 kN										
											102
	2 kN										
											202
	5 kN										
											502
<b>Measuring direction positive</b>	Tension										
											T
<b>Output signal</b>	Nominal sensitivity 1.00 mV/V										
											P3
<b>Electrical connection</b>	M8, 4 pin, male										
											C4