

Housing base set A VCXG.I r IP65/67 HA

Article number: 11207845

overview

- Hard anodized cylindric housing corpus for VCXG.I cameras for modular housing to meet Parma and Food & Beverage applications requirements
- optional tube extension with Tube Module 6mm (11185376), Tube Module 12 mm (11185375) or Tube Module 36 mm (11198906).
- thread: M62
- length 56 mm

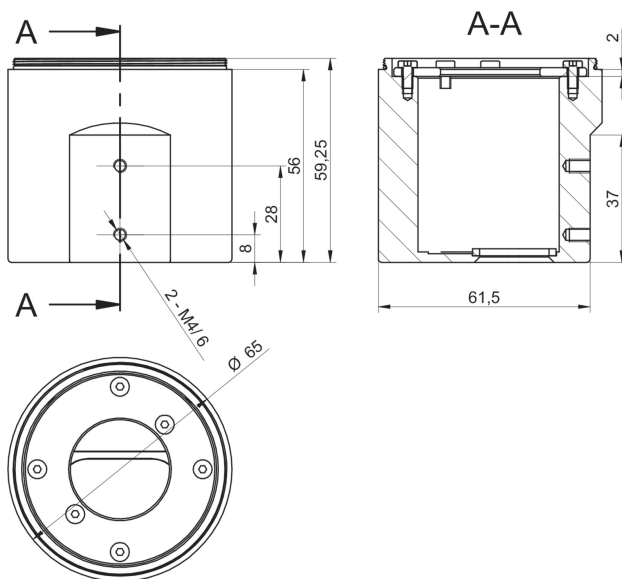


technical data

mechanical data

| | |
|-------------------|------------|
| external diameter | 65 mm |
| thread | M62 × 0,75 |
| length of tube | 56 mm |

dimension drawing



mechanical data

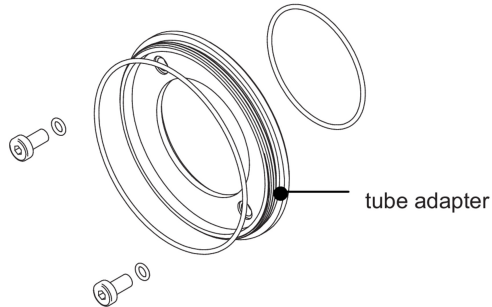
| | |
|----------|-------------------------|
| material | aluminum, hard-anodized |
|----------|-------------------------|

environmental conditions

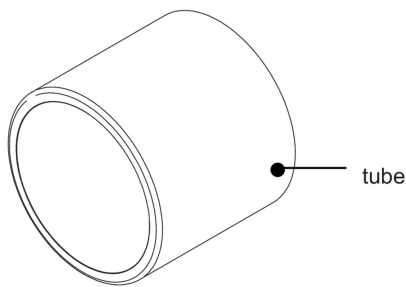
| | |
|-----------------------|----------------|
| operating temperature | -40 ... +70 °C |
|-----------------------|----------------|

Principle

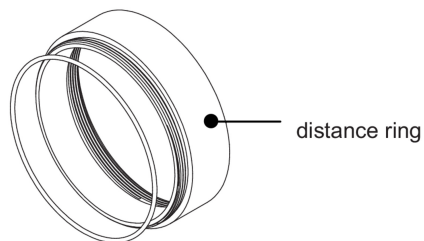
Optional accessories for protection class IP65/67:



- tube adapter
- Ø 49,5 mm, hard-anodized, incl. sealing and screws (CX.I 11185373)
 - Ø 65 mm, hard-anodized, incl. sealing and screws (CX.I 11185377; VLXT 11193125)



- tube
- Ø 49,5 mm, length 44 mm, hard-anodized, cover glass PMMA (11185370)
 - Ø 65 mm, length 58 mm, hard-anodized, cover glass PMMA (11185374)
 - Ø 49,5 mm, length 44 mm, hard-anodized, tempered laminated safety glass (11195425)
 - Ø 65 mm, length 58 mm, hard-anodized, tempered laminated safety glass (11195426)



- distance ring
- Ø 49,5 mm, length 12 mm, hard-anodized, incl. sealing (11185371)
 - Ø 49,5 mm, length 6 mm, hard-anodized, incl. sealing (11185372)
 - Ø 65 mm, length 12 mm, hard-anodized, incl. sealing (11185375)
 - Ø 65 mm, length 6 mm, hard-anodized, incl. sealing (11185376)