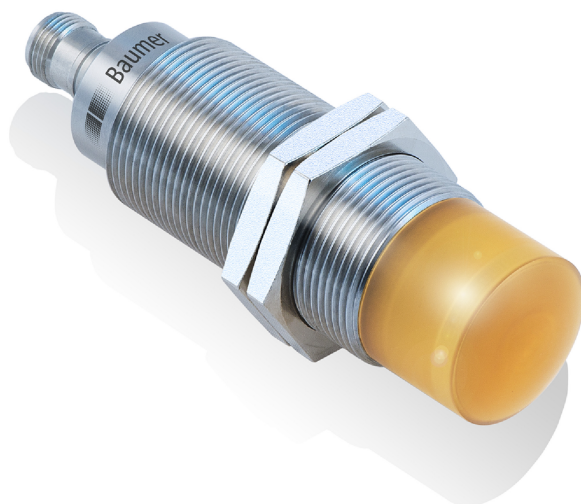


overview

- 0,5 ... 40 m
- voltage output / push-pull
- qTeach / external
- connector M12
- -40 ... 65 °C
- IP 68/69K & proTect+



Technical data

general data

scanning range Sd	0,5 ... 40 m
scanning range close limit Sdc	0,5 ... 40 m
scanning range far limit Sde	0,5 ... 40 m
repeat accuracy	< 1 mm
response time ton	< 16,4 ms
release time toff	< 16,4 ms
temperature drift	<± 10 mm (Full Scale)
adjustment	qTeach / external
alignment aid	light indicator flashing
light indicator	LED yellow
power on indication	LED green
carrier frequency	122 ... 123 GHz
band width	1 GHz
range resolution	500 mm
hysteresis typ.	40 mm
linearity error	± 4 mm
modulation type	FMCW
transmitting power (EIRP)	< +20 dBm
aperture angle	6 °
approvals/certificates	Ecolab FCC / CFR-47 part 18 (USA, Canada) EN / 305 550-1 V.1.2.1 (European Union) EN / 305 550-2 V.1.2.1 (European Union)

electrical data

voltage supply range +Vs	15 ... 30 VDC
current consumption max. (no load)	210 mA
short circuit protection	yes
reverse polarity protection	yes, Vs to GND
output circuit	voltage output / push-pull
output signal	0 ... 10 V / 10 ... 0 V
output current	< 100 mA
switching output	push-pull
output function	NO / NC adjustable
voltage drop Vd	< 2,5 VDC

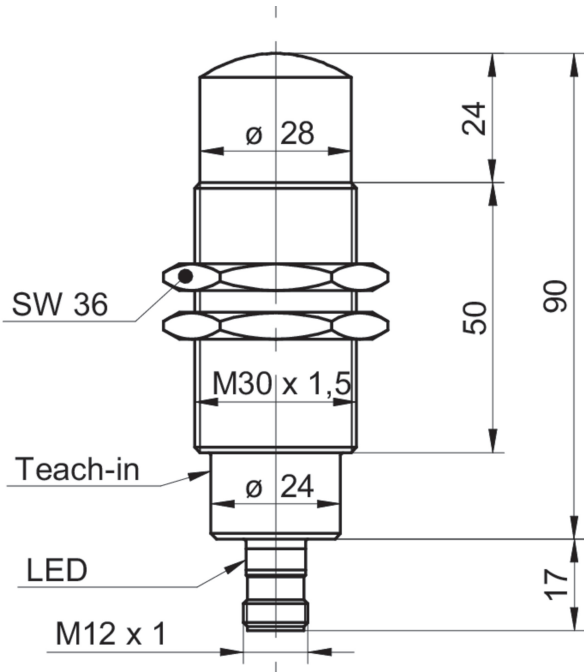
mechanical data

type	cylindrical threaded
housing material	stainless steel 1.4404 (V4A)
width / diameter	30 mm
height / length	90 mm
connection types	connector M12

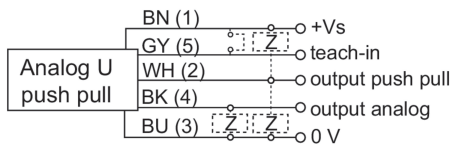
ambient conditions

operating temperature	-40 ... +65 °C
storage temperature	-40 ... +85 °C
protection class	IP 68/69K & proTect+

dimension drawing



connection diagram



pin assignment

