

Accessories

Mounting accessories

Mounting kit 028



Features

- For low-dynamic applications and constant movements

Description

Torque support onto encoder by help of the attached screws. Push encoder onto the drive shaft and mount torque support onto the client side.

Part number

11067367 Torque arm, 1-arm, bolt circle $\varnothing 74 \dots 94$ mm, mounting M6 (mounting kit 028)

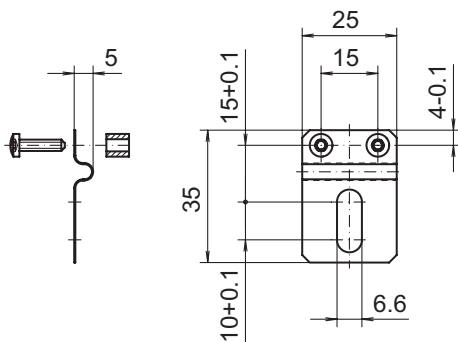
Scope of delivery

Included:
torque support, two screws M3 x 12 (DIN 7985 - TX10) with two spacers 6 mm

Suitable for

EIL580 - blind hollow shaft, EIL580 - through hollow shaft,
EIL580P - blind hollow shaft, EIL580P - through hollow shaft

Dimensions



Z00415

Assembly drawing

