

Absolute encoders - bus interfaces

Encoder with solid shaft $\varnothing 11$ mm and EURO flange B10

Single and multiturn 13 bit ST / 12 or 16 bit MT

SSI / Profibus / CANopen®

AMG 81



AMG 81 P (C) + incremental

Features

- Multiturn / SSI / Profibus / CANopen®
- Optical sensing method
- Singleturn 13 bit, multiturn 12 bit / 16 bit
- EURO flange B10 / solid shaft $\varnothing 11$ mm

Optional

- Additional incremental output (TTL / HTL)

Technical data - electrical ratings

Voltage supply	9...30 VDC
Consumption w/o load	≤ 100 mA (per interface SSI) ≤ 250 mA (per interface bus)
Initializing time	≤ 200 ms after power on
Interfaces	SSI, Profibus-DPV0, CANopen®
Function	Multiturn
Transmission rate	9.6...12000 kBaud (Profibus) 10...1000 kBaud (CANopen®)
Profile conformity	Profibus-DPV0 CANopen® CiA DSP 406 V 3.0
Device address	Rotary switches in bus cover
Steps per revolution	8192 / 13 bit
Number of revolutions	4096 / 12 bit, 65536 / 16 bit
Additional outputs	Square-wave TTL (RS422) Square-wave HTL
Sensing method	Optical
Code	Gray (version SSI)
Code sequence	CW default
Inputs	SSI clock (version SSI)
Incremental output	2048 pulses per revolution
Interference immunity	EN 61000-6-2
Emitted interference	EN 61000-6-3
Programmable parameters	Depending on the selected absolute interface
Diagnostic function	Position or parameter error
Status indicator	DUO-LED integrated in bus cover
Approvals	CE, UL approval / E256710

Technical data - mechanical design

Size (flange)	$\varnothing 115$ mm
Shaft type	$\varnothing 11$ mm solid shaft
Flange	EURO flange B10
Protection DIN EN 60529	IP 55
Operating speed	≤ 3500 rpm (mechanical)
Operating torque	≤ 10 Ncm
Rotor moment of inertia	1.4 kgcm ²
Admitted shaft load	≤ 50 N axial ≤ 60 N radial
Materials	Housing: aluminium alloy Shaft: stainless steel
Operating temperature	-20...+85 °C
Resistance	IEC 60068-2-6 Vibration 10 g, 10-2000 Hz IEC 60068-2-27 Shock 100 g, 6 ms
Explosion protection	II 3 G Ex nA IIC T4 Gc (gas) II 3 D Ex tc IIIB T120°C Dc (dust)
Weight approx.	1.7 kg (depending on version)
Connection	Bus cover Flange connector M23, 12-pin (SSI/incremental)

Absolute encoders - bus interfaces

Encoder with solid shaft \varnothing 11 mm and EURO flange B10
Single and multiturn 13 bit ST / 12 or 16 bit MT
SSI / Profibus / CANopen®

AMG 81

Part number

AMG81

- Additional output
 - Z0 Without
 - T2048 TTL level, 2048 pulses
 - H2048 HTL level, 2048 pulses
- Absolute share
 - 13 13 bit singleturn
 - 25 13 bit singleturn + 12 bit multiturn (only S version)
 - 29 13 bit singleturn + 16 bit multiturn (only P and C version)
- Interface/interfaces
 - S SSI
 - P Profibus
 - C CANopen®

Accessories

Connectors and cables

HEK 8 Sensor cable for encoders

Mounting accessories

K 35 Spring washer coupling for solid shaft \varnothing 6...12 mm

K 50 Spring washer coupling for solid shaft \varnothing 11...16 mm

K 60 Spring washer coupling for solid shaft \varnothing 11...22 mm

Diagnostic accessories

11075858 Analyzer for encoders HENQ 1100

Absolute encoders - bus interfaces

Encoder with solid shaft $\varnothing 11$ mm and EURO flange B10

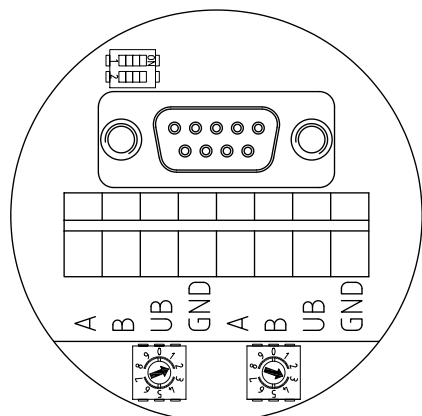
Single and multiturn 13 bit ST / 12 or 16 bit MT

SSI / Profibus / CANopen®

AMG 81

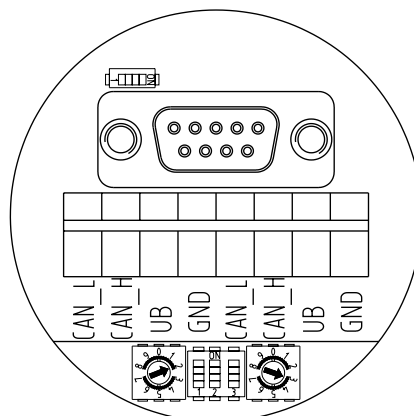
Terminal assignment - Profibus

View A - Connecting terminal in cover



Terminal assignment - CANopen®

View A - Connecting terminal in cover



Terminal significance - Profibus

A	Negative serial data transmission, pair 1 and pair 2
B	Positive serial data transmission, pair 1 and pair 2
UB	Voltage supply 9...30 VDC
GND	Ground connection for UB

Terminals with the same label are internally connected.

Terminal significance - CANopen®

CAN_L	CAN Bus signal (dominant low)
CAN_H	CAN Bus signal (dominant high)
UB	Voltage supply 9...30 VDC
GND	Ground connection for UB

Terminals with the same label are internally connected.

Features - Profibus

Protocol	Profibus DP V0
Profibus features	Device Class 1 and 2
Data Exch. functions	Input: Position value Output: Preset value
Preset value	The „Preset“ parameter can be used to set the encoder to a predefined value that corresponds to a specific axis position of the system.
Parameter functions	Rotating direction: The relationship between the rotating direction and rising or falling output code values can be set in the operating parameter. Scaling: The parameter values set the number of steps per turn and the overall resolution.
Diagnostic	The encoder supports the following error messages: - Position error
Default settings	User address 00

Features - CANopen®

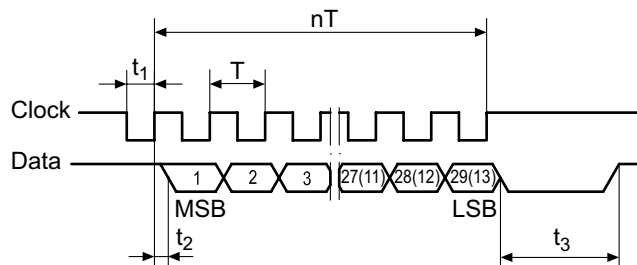
Protocol	CANopen®
CANopen® features	Device class 2 CAN 2.0B
Device profile	CANopen® CiA DSP 406, V 3.0
Operation modes	Polling mode (asynch, via SDO) Cyclic mode (asynch-cyclic) Synch mode (synch-cyclic) Acyclic mode (synch-acyclic)
Diagnostic	The encoder supports the following error messages: - Position error
Default settings	User address 00

Absolute encoders - bus interfaces

Encoder with solid shaft $\varnothing 11$ mm and EURO flange B10
Single and multiturn 13 bit ST / 12 or 16 bit MT
SSI / Profibus / CANopen®

AMG 81

Data transfer

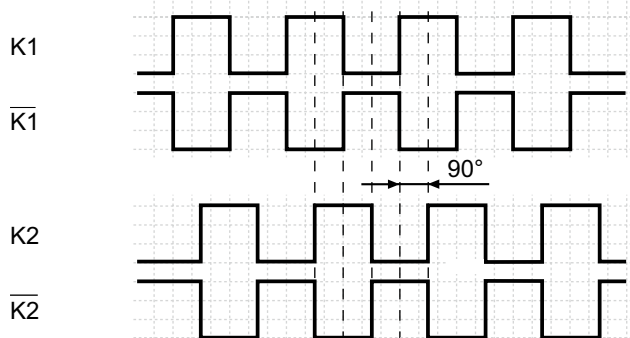


T	=	1.25 ... 10 μ s
t_1	=	0.63 ... 5 μ s
t_2	\leq	0.4 μ s
t_3	=	12 ... 30 μ s
n	=	Number of bits

Clock frequency	100...800 kHz
-----------------	---------------

Output signals

Additional incremental signals
at positive rotating direction



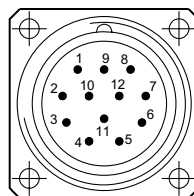
Terminal assignment

View B

Connector M23, 12-pin, male contacts, counter-clockwise

Male	Assignment
Pin 1	$\overline{K2}$ (K2 inv.)
Pin 2	Clock *
Pin 3	Data *
Pin 4	$\overline{\text{Data}}$ *
Pin 5	K1
Pin 6	$\overline{K1}$ (K1 inv.)
Pin 7	Param *
Pin 8	K2
Pin 9	$\overline{\text{Error}}$ *
Pin 10	GND
Pin 11	$\overline{\text{Clock}}$ *
Pin 12	+UB

* only for SSI



Absolute encoders - bus interfaces

Encoder with solid shaft $\varnothing 11$ mm and EURO flange B10

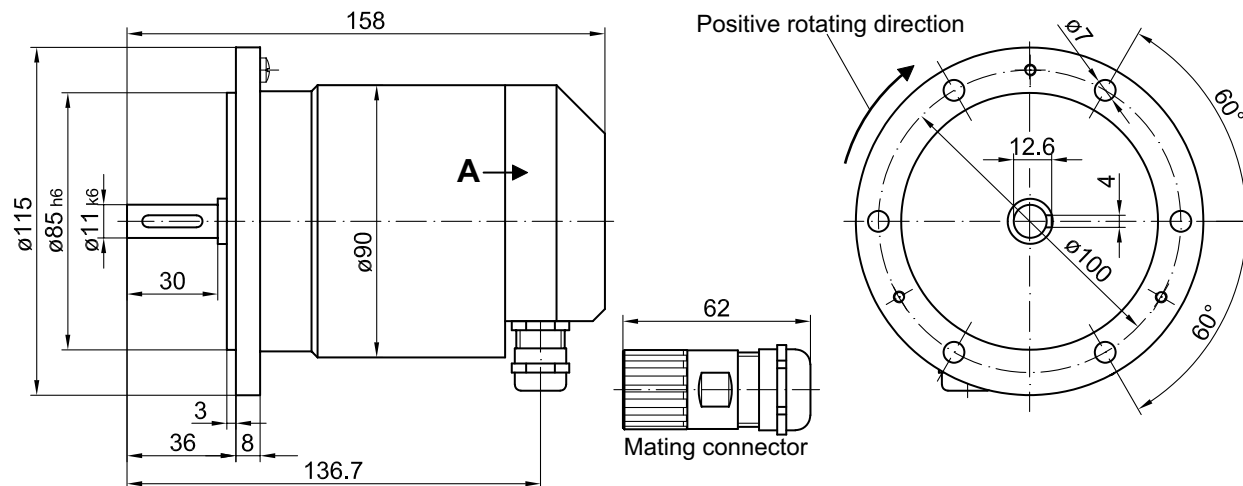
Single and multiturn 13 bit ST / 12 or 16 bit MT

SSI / Profibus / CANopen®

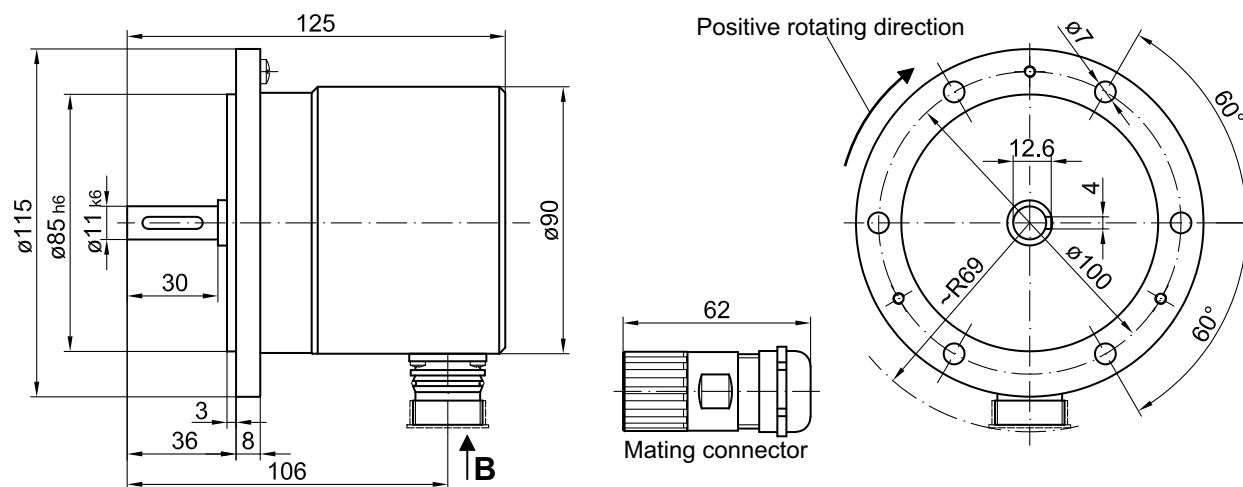
AMG 81

Dimensions

Version with Profibus or CANopen®



Version with SSI and/or incremental



Absolute encoders - bus interfaces

Version with Profibus or CANopen® and incremental

