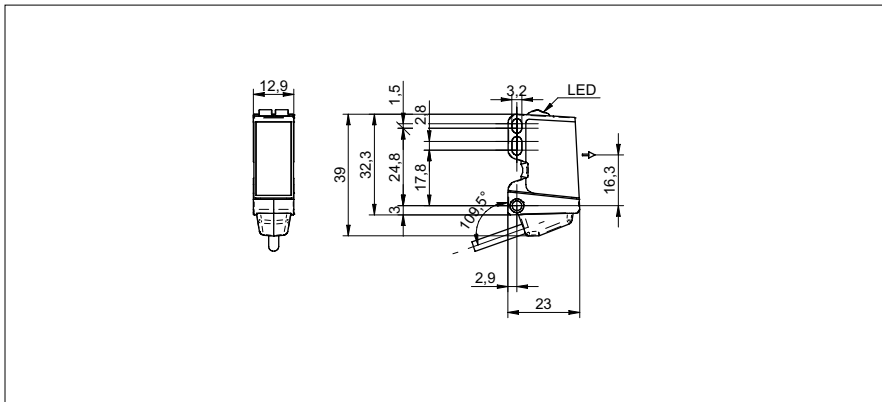


Through beam sensors

O300.TL-11176844

dimension drawing



general data

type	through beam sensor
emitter / receiver	emitter
light source	pulsed red laser diode
actual range S_b	40 m
nominal range S_n	75 m
power on indication	LED green
laser class	1
distance to focus	parallel beam
wave length	656 nm
alignment optical axis	< 2°

electrical data

voltage supply range +Vs	11 ... 30 VDC
current consumption max. (no load)	30 mA
current consumption typ.	25 mA
reverse polarity protection	yes

mechanical data

width / diameter	12,9 mm
height / length	32,3 mm
depth	23 mm
type	rectangular
housing material	plastic (ASA, PMMA)
front (optics)	PMMA
connection types	cable 4 pin, 2 m

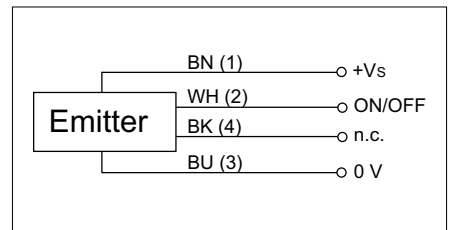
ambient conditions

operating temperature	-10 ... +60 °C
protection class	IP 67

photo



connection diagram



laser warning

CLASS 1 LASER PRODUCT

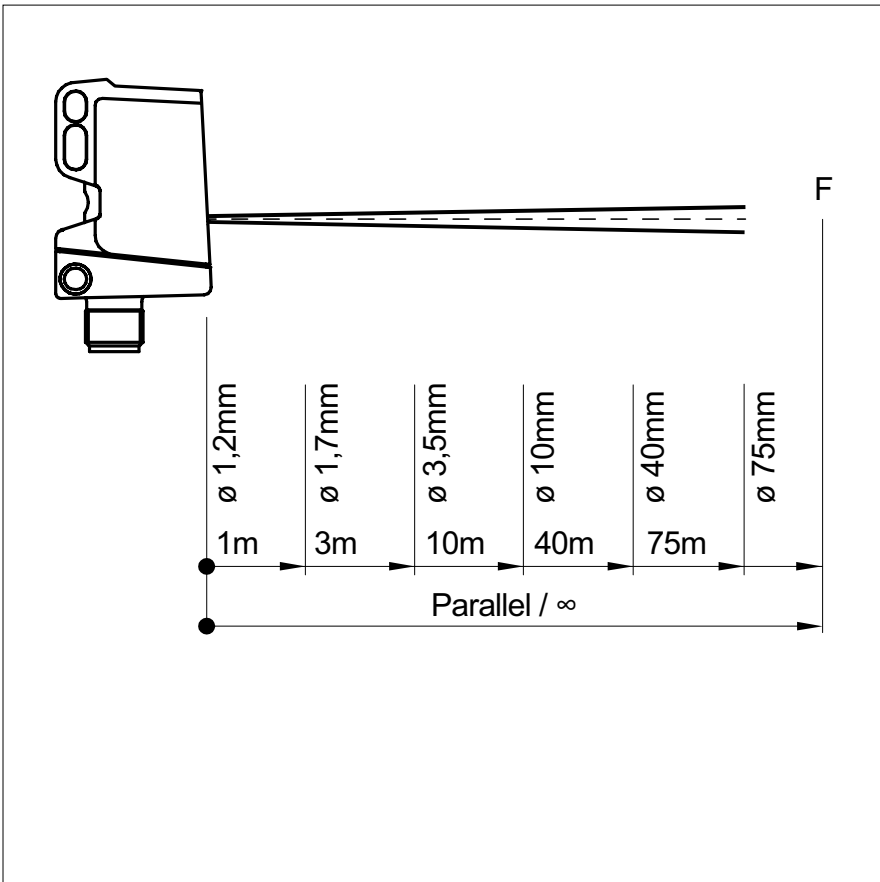
IEC 60825-1/2014
Complies with 21 CFR 1040.10 and 1040.11
except for deviations pursuant to laser notice No. 50, dated June 24, 2007



Through beam sensors

O300.TL-11176844

beam characteristic (typically)



excess gain curve

