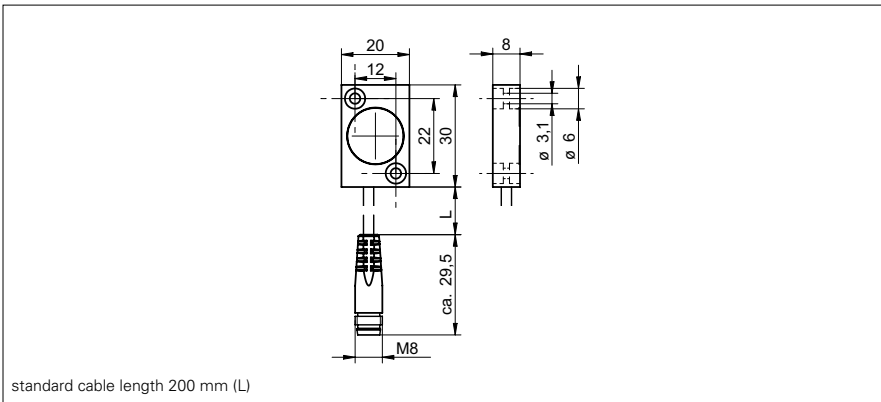


Magnetic angle sensors

MDFM 20U9404/KS35PA360

dimension drawing



general data

angular range	360° linear
resolution	1,41 °
system accuracy	± 0,6 %
temperature drift	± 0,1 % (Full Scale)
working distance max.	4 mm, with magnet rotor MSFS
axial misalignment max.	0,5 mm

electrical data

response time	< 2 ms
voltage supply range +Vs	4,75 ... 5,25 VDC
current consumption max. (no load)	20 mA
output signal	0 ... 5 VDC
load resistance	> 1000 Ohm
output circuit	voltage output
short circuit protection	no
reverse polarity protection	no

mechanical data

connection types	flylead connector PUR M8, L=200 mm
type	rectangular
housing material	brass nickel plated
dimension	20 mm
material (sensing face)	PBTP

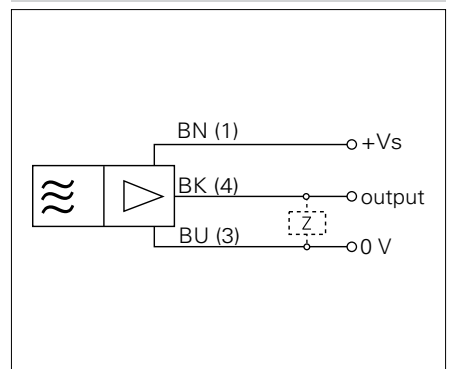
ambient conditions

operating temperature	-40 ... +85 °C
protection class	IP 67

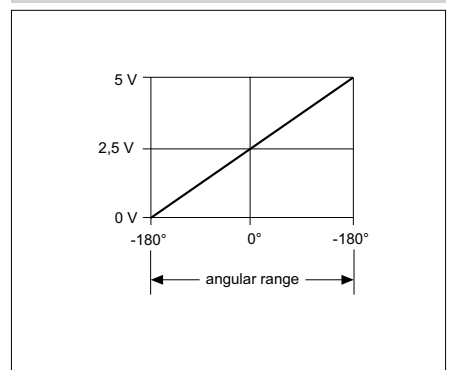
photo



connection diagram



output signal



Magnetic angle sensors

MDFM 20U9404/KS35PA360



- Rotor is available as an accessory