

Quick Start Guide
Housing Base Set B V4A VCXG.I r IP69K

Download latest camera software:
www.baumer.com/vision/software

Download latest technical documentation:
www.baumer.com/cameras/docs

Product Specification

Housing Base Set B V4A VCXG.I r IP69K

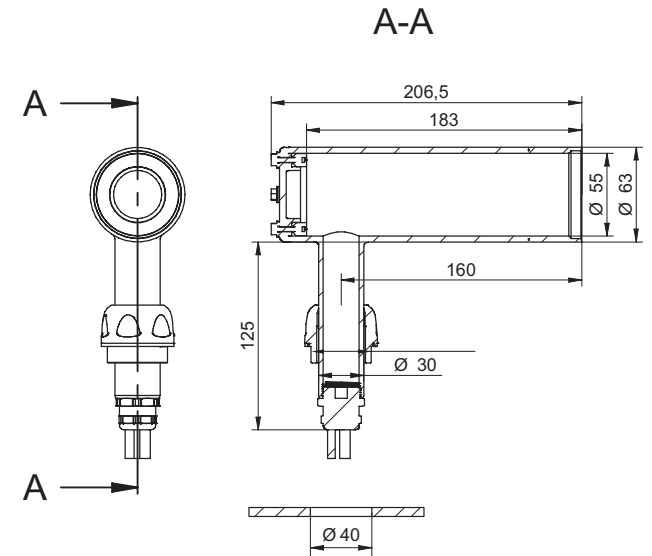
- For lenses up to 55 mm diameter (52 mm front lid) and VCXG.I cameras
- Stainless steel 1.4404
- Compact size
- Robust construction
- Vibration-proof mounting
- IP 69 K rating
- Design according to EHEDG guidelines: Hygienic design with 3 mm radii (wash-down design) and hygienic surface (roughness < 0.8 µm, electropolished)
- Excellent heat dissipation

Caution



The suitability of the product for the users application **with its specific conditions of practice has to be tested and guaranteed by the user himself.**
For special applications, please contact us in writing. We reserve the right to make technical changes.

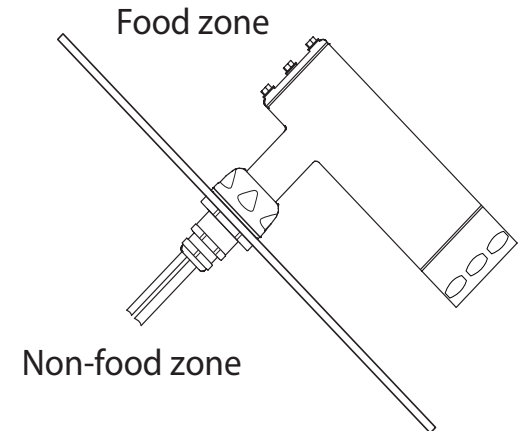
Dimensions



Notice

Maximum lens length = 80 mm

Mounting and cable exit



- M40 hygiene cable gland with counter nut (optional: Rotation lock M40 V4A IP69K)
- Closed rear wall
- M25 cable gland with closed insert on side exit (several cable possible, max. 16.5 mm connector diameter)

Conformity / Environmental Requirements

Conformity



The products comply with the recommendation of the European Union concerning RoHS Rules.

Environmental Requirements

Environmental Requirements

Storage temperature	-15 °C (-5 °F) ... 70 °C (158 °F)
Operating temperature	-15 °C (-5 °F) ... 70 °C (158 °F)
Humidity	10 % ... 90 % Non-condensing

Ambient temperature above 50 °C (122 °F) requires heat dissipation measures.

The housing improves the temperature management for the camera in use, the environmental temperature may be 5 K higher than in applications without housing.

Safety Precautions

Caution



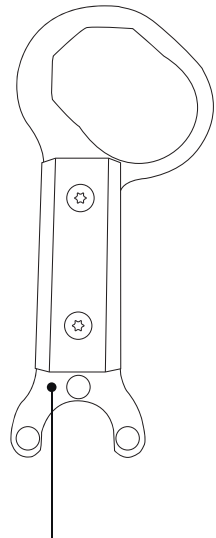
- Inappropriate handling of the enclosure or any parts thereof may lead to a leaky enclosure and may cause damage to the enclosed camera. Baumer can take no liability for damages caused by improper handling.
- The products have been designed for a typical machine vision application where the camera set-up is done once in order to build an application. Frequent disassembly of the enclosure requires all seals and gaskets to be renewed.
- Baumer uses the best possible sealing materials for typical applications. However every application is different - please check if our sealing material is durable under the use intended.
- Do not assemble the enclosure if any parts are damaged – this counts especially for the seals and sealing flanges of the enclosure!
- The enclosure front / rear lid is properly tightened when the seals are flush with the enclosure. Do not over-tighten the lids in a way that the seal protrude over the enclosure walls.

Further Information

For further information on our products visit www.baumer.com
For technical issues, please contact our technical support:
support.cameras@baumer.com · Phone +49 (0)3528 4386-0 · Fax +49 (0)3528 4386-86
© Baumer Optronic GmbH · Badstrasse 30 · DE-01454 Radeberg, Germany

Technical data has been fully checked, but accuracy of printed matter not guaranteed.

Housing Base Set B V4A VCXG.I r IP69K

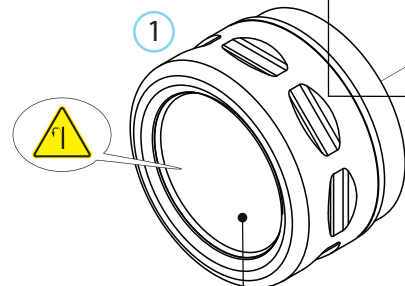


Optional
Housing V4A IP69K
Mounting Tool (11208719)

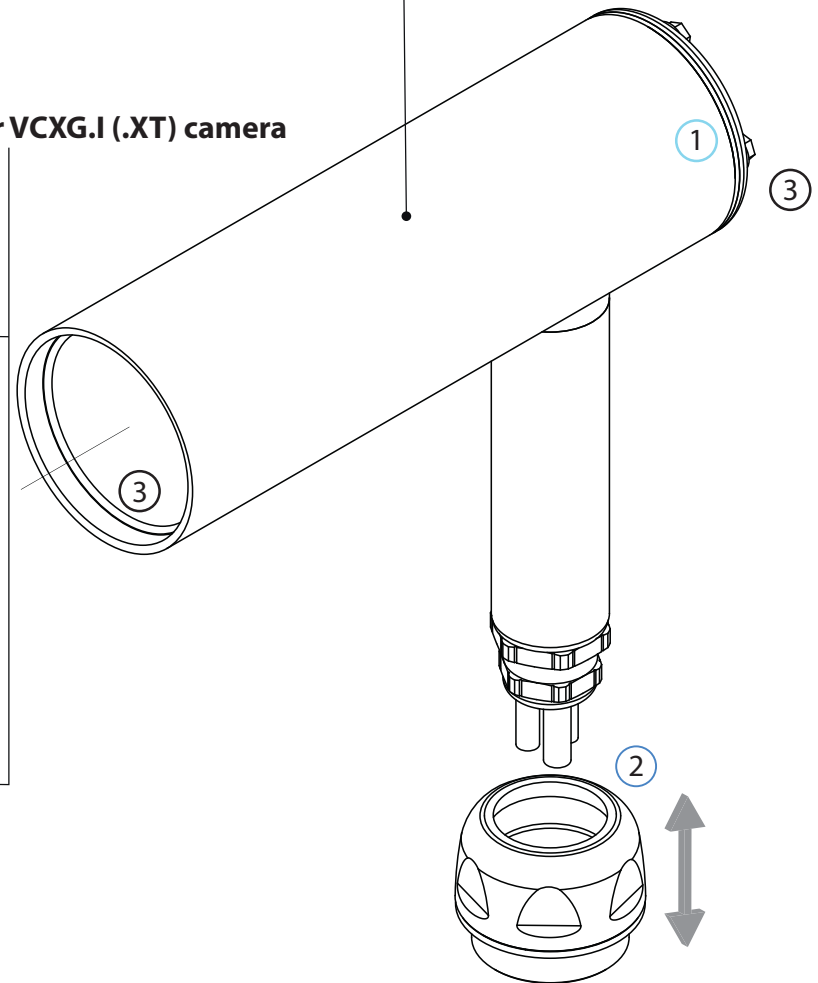
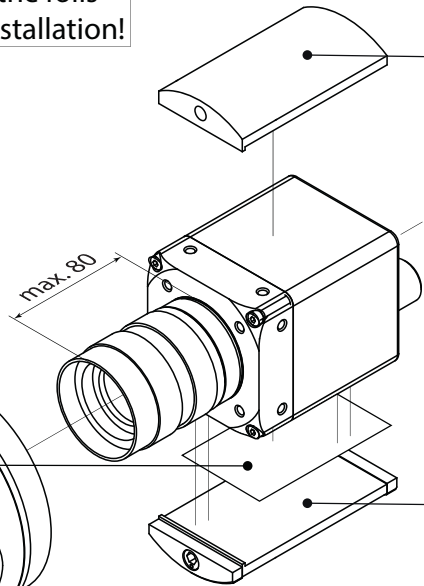
Thermal pad

Clamp elements for VCXG.I (.XT) camera

⚠ Caution
Remove the foils
before installation!



Tube M60 V4A IP69K Acryl (11208732)
mandatory, tube has to be ordered separately



Sealing material

- ①- Flouoprene XP41
- ②- TPU
- ③- EPDM O-Ring (inside only)

Notice

Camera, lens and cables not included.

Notice

Position the lens so that it protrudes no more than 23 mm from the edge of the Housing Base Set, otherwise the tube will not fit.

Optional

Rotation lock M40 V4A IP69K (11208731)

