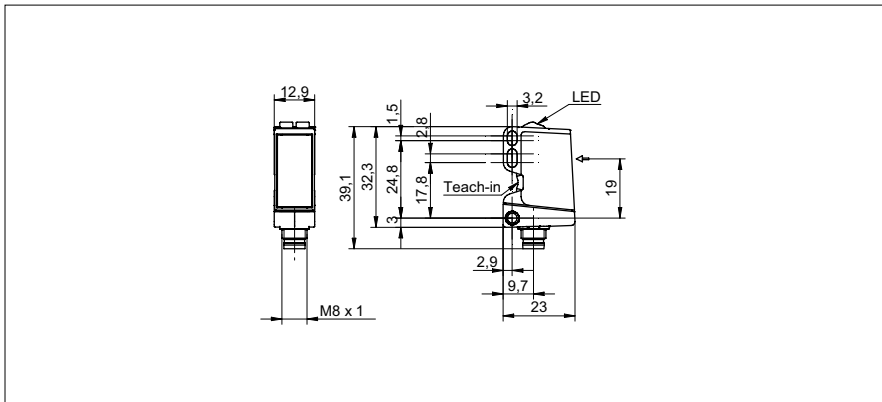


**Through beam sensors**

**O300.ER-11128047**

**dimension drawing**



**general data**

|                                   |                          |
|-----------------------------------|--------------------------|
| type                              | through beam sensor      |
| emitter / receiver                | receiver                 |
| actual range $S_b$                | 10 m                     |
| nominal range $S_n$               | 15 m                     |
| alignment / soiled lens indicator | flashing light indicator |
| light indicator                   | LED yellow               |
| power on indication               | LED green                |
| sensitivity adjustment            | qTeach                   |
| alignment optical axis            | < 2°                     |

**electrical data**

|                                    |                      |
|------------------------------------|----------------------|
| response time / release time       | < 0,49 ms            |
| voltage supply range +Vs           | 10 ... 30 VDC        |
| current consumption max. (no load) | 40 mA                |
| current consumption typ.           | 30 mA                |
| voltage drop $V_d$                 | < 3 VDC              |
| output function                    | light / dark operate |
| output circuit                     | PNP complementary    |
| output current                     | < 100 mA             |
| short circuit protection           | yes                  |
| reverse polarity protection        | yes                  |

**mechanical data**

|                  |                     |
|------------------|---------------------|
| width / diameter | 12,9 mm             |
| height / length  | 32,3 mm             |
| depth            | 23 mm               |
| type             | rectangular         |
| housing material | plastic (ASA, PMMA) |
| front (optics)   | PMMA                |
| connection types | connector M8 4 pin  |

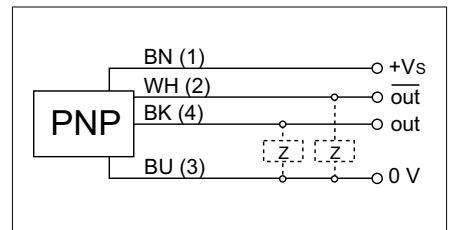
**ambient conditions**

|                       |                |
|-----------------------|----------------|
| operating temperature | -25 ... +60 °C |
| protection class      | IP 67          |

**photo**



**connection diagram**



# Through beam sensors

**O300.ER-11128047**

