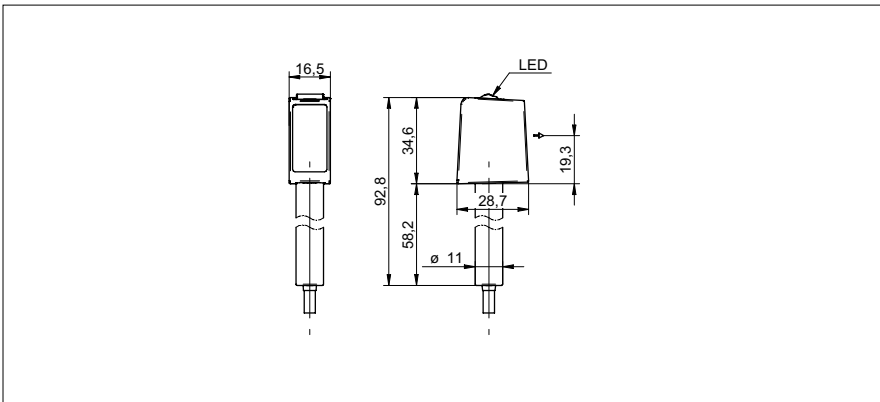


**Through beam sensors**

**O300H.TL-11181225**

**dimension drawing**



**general data**

type	through beam sensor
special type	hygienic design
emitter / receiver	emitter
light source	pulsed red laser diode
actual range Sb	40 m
nominal range Sn	75 m
power on indication	LED green
laser class	1
distance to focus	parallel beam
wave length	656 nm
alignment optical axis	< 2°
approvals/certificates	Ecolab

**electrical data**

voltage supply range +Vs	11 ... 30 VDC
current consumption max. (no load)	30 mA
current consumption typ.	25 mA
reverse polarity protection	yes

**mechanical data**

width / diameter	16,5 mm
height / length	34,6 mm
depth	28,7 mm
type	rectangular
housing material	stainless steel 1.4404 (V4A)
front (optics)	PMMA
connection types	cabl 4 pin, 2 m

**ambient conditions**

operating temperature	-10 ... +60 °C
protection class	IP 68/69K & proTect+

**photo**



**connection diagram**



**laser warning**

**CLASS 1 LASER PRODUCT**

IEC 60825-1/2014  
Complies with 21 CFR 1040.10 and 1040.11  
except for deviations pursuant to laser  
notice No. 50, dated June 24, 2007

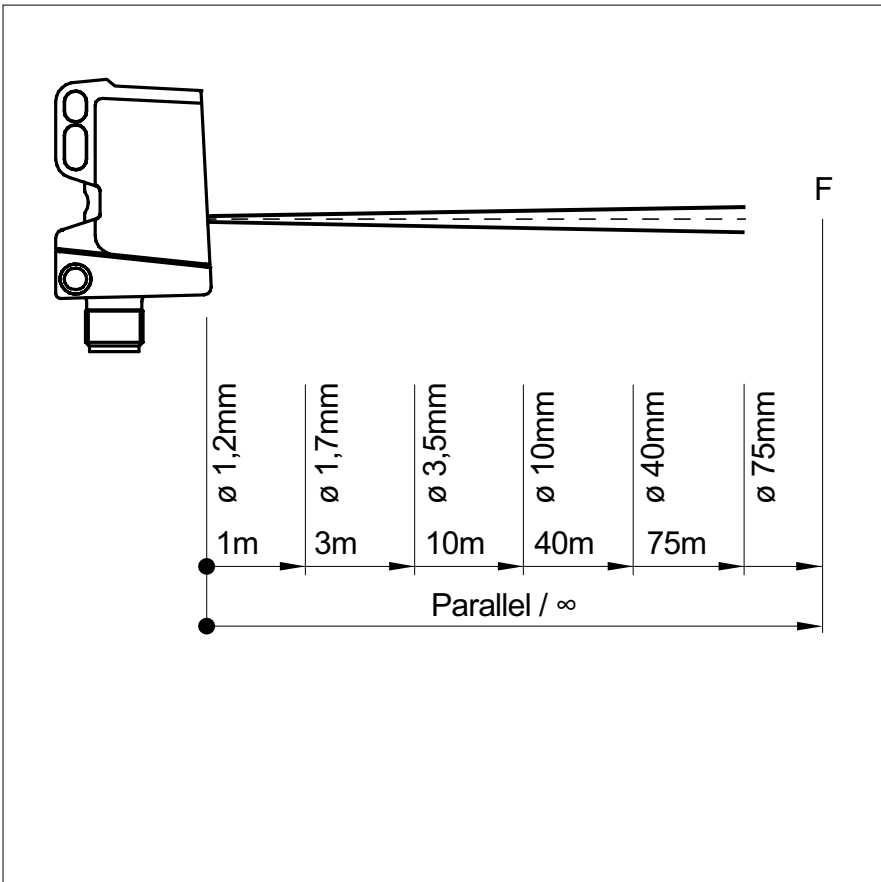
*proTect<sup>+</sup>*



Through beam sensors

O300H.TL-11181225

beam characteristic (typically)



excess gain curve

