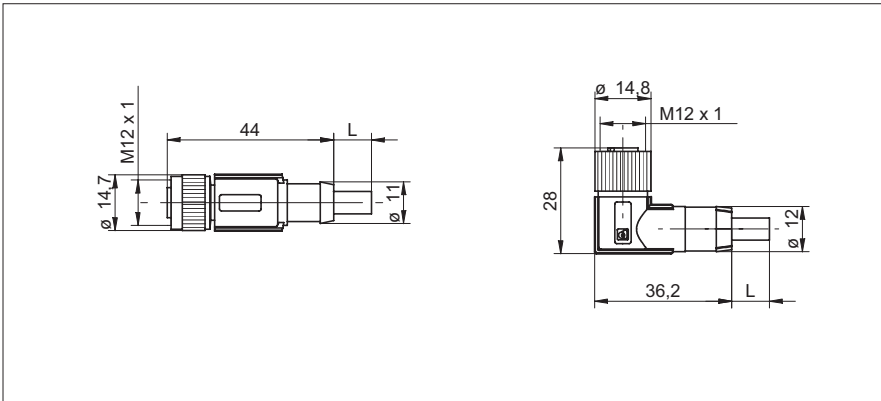


Connector M12 x 1 with attached PUR-cable, shielded

dimension drawing



- 5-wire, shielded
- shield connected with cap-nut
- PUR halogen-free
- suitable for flexible cable carriers
- self-locking cap nut
- UL listing file No. E315836

General data

Nominal current I_N	4 A
Nominal voltage U_N	60 V
Number of positions	5
Volume resistance	$\leq 5 \text{ m}\Omega$
Insulation resistance	$\geq 100 \text{ M}\Omega$
Length of cable	see listing
Stripping length of the free conductor end	50 mm
Ambient temperature (operation)	-25 ... 90 °C

General characteristics

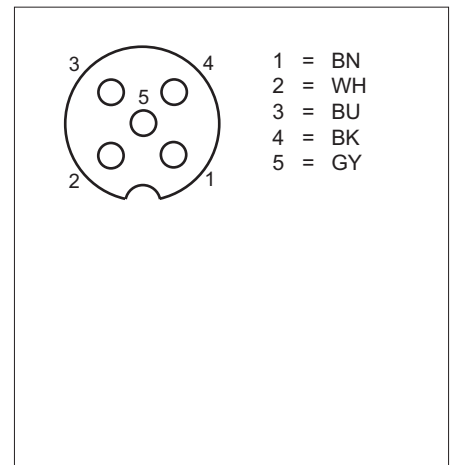
Coding	A-standard
Surge voltage category	II
Pollution degree	3
Degree of protection	IP65/IP67
Contact material	CuSn
Contact surface material	Ni/Au
Contact carrier material	TPU GF
Material of grip body	TPU, hardly inflammable, self-extinguishing
Material, knurls	Zinc die-cast, (nickel-plated)
Sealing material	NBR
Status display	no

Conductor data

Cable type	PUR halogen-free black, shielded
Cable abbreviation	Li9Y-V1-C-V1-11Y
Conductor cross section	0,34 mm ²
AWG signal line	22
Conductor structure, signal line	42x0,10 mm
Core diameter including insulation	1,27 mm $\pm 0,02$ mm
Thickness, insulation	ca. 0,21 mm (Core insulation)
	ca. 0,8 mm (Outer cable sheath)
External cable diameter	5,3 $\pm 0,2$ mm
Wire colors	Brown, white, blue, black, gray
External sheath, color	Black-gray RAL 7021

type	Mat.-No.	length
straight connectors		
ESG 34CH0200G	11046264	2 m
ESG 34CH0500G	11046266	5 m
ESG 34CH1000G	10155587	10 m
ESG 34CH1200G	11087737	12 m
angular connectors		
ESW 33CH0500G	11046261	5 m
other lengths on request		

pin assignment



Connector M12 x 1 with attached PUR-cable, shielded

Conductor data (cont.)	
Conductor resistance	≤ 58 Ω/km
Nominal voltage, conductor	300 V
Test voltage, conductor	3000 V
Overall twist	5 wires around filler to the core
Shielding	Braided copper wires
Optical shield covering	85 %
Outer sheath, material	PUR
Material conductor insulation	PP
Conductor material	Bare Cu litz wires
Cable weight	48 kg/km
Smallest bending radius, movable installation	59 mm
Number of bending cycles	4'000'000
Bending radius	59 mm
Traversing path	10 m
Traversing rate	3 m/s
Acceleration	10 m/s ²
Ambient temperature (operation)	-40 ... 80 °C (cable, fixed installation)
	-25 ... 80 °C (cable, flexible installation)
Special properties	Flexible cable conduit capable
	Silicone-free
	Free of substances which would hinder coating with paint or varnish
Flame resistance	As per UL-Style 20549
Halogen-free	As per DIN VDE 0472 part 815
Resistance to oil	complying with DIN EN 60811-2-1
Other resistance	Highly resistant to acids, alkaline solutions and solvents
	hydrolysis and microbe resistant