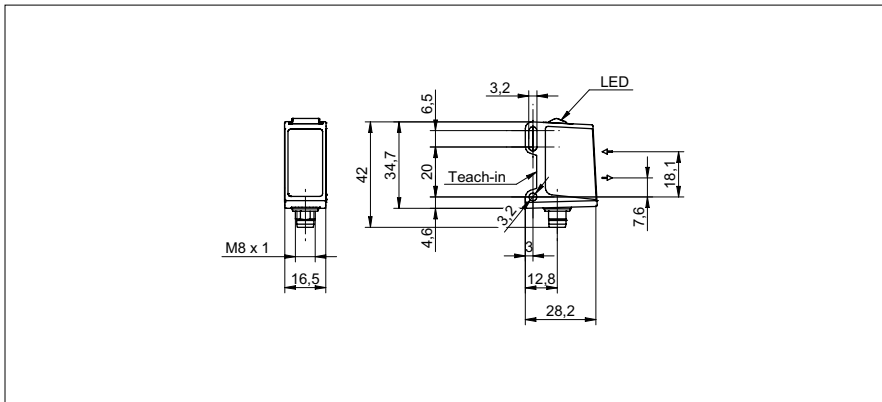


# SmartReflect Light barriers

**O300W.S.P.T-11136922**

**dimension drawing**



**general data**

type	light barrier
special type	Washdown design
version	transparency object detection
light source	pulsed PinPoint LED
background position Sde	30 ... 300 mm
scanning range Sa	100% ... 85% Sde
minimal signal attenuation	10 % / 20 % / 30 %
power on indication	LED green
light indicator	LED yellow
sensing distance adjustment	Teach-in and IO-Link
wave length	630 nm
suppression of reciprocal influence	yes
alignment optical axis	< 2°
approvals/certificates	Ecolab

**electrical data**

response time / release time	< 0,25 ms
voltage supply range +Vs	10 ... 30 VDC
current consumption max. (no load)	45 mA
current consumption typ.	30 mA
voltage drop Vd	< 3 VDC
output function	light / dark operate
output circuit	push-pull
output current	< 100 mA
short circuit protection	yes
reverse polarity protection	yes

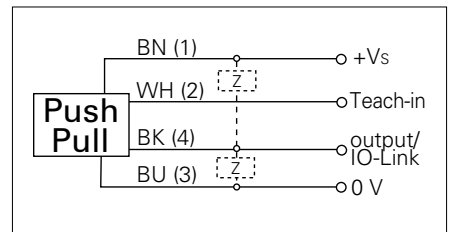
**mechanical data**

width / diameter	16,5 mm
height / length	34,7 mm
depth	28,2 mm
type	rectangular
housing material	stainless steel 1.4404 (V4A)
front (optics)	PMMA
connection types	connector M8 4 pin

**photo**



**connection diagram**



**IO-Link**

**proTect<sup>+</sup>**

**CE**

**UL US LISTED**

- qTeach
- IO-Link: V1.1, filter functions, qTeach lock adjustable
- signal attenuation adjustable

## SmartReflect Light barriers

**O300W.S.P.T-11136922**

### ambient conditions

operating temperature	-25 ... +60 °C
protection class	IP 68/69K & proTect+

### beam characteristic (typically)

