

# Accessories

## Connectors and cables

### Connector S2BG12 with cable (ATD analog)



#### Features

- Shielded connection cable with M23-female connector (12-pin) and wire end sleeves
- Full allocation of all pins, suitable for all ATD with analogue output and D2S.12/H2SK12 connection

#### Part number

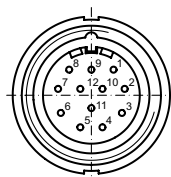
11070180 Connector S2BG12, 10 m cable (ATD analog)

#### Suitable for

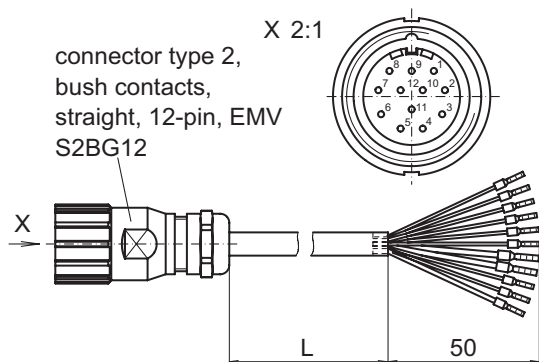
ATD 2A A 4 Y 7, ATD 2A B14 Y 1

#### Terminal assignment

Connector S2BG12	Core colour
Pin 1	pink
Pin 2	blue
Pin 3	red
Pin 4	black
Pin 5	brown
Pin 6	green
Pin 7	yellow
Pin 8	grey
Pin 9	brown/white
Pin 10	white 0.5
Pin 11	white
Pin 12	brown 0.5
Housing/Shield	transparent



#### Dimensions



Z01480