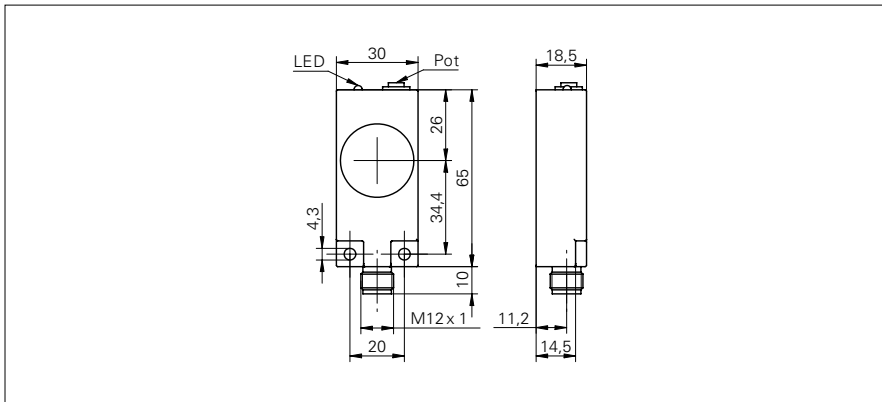


**Capacitive proximity sensors**

**CFDK 30P1600/S14**

**dimension drawing**



**general data**

nominal sensing distance Sn	15 mm
nominal sensing distance Sn adjustable	4 ... 15 mm
mounting type	flush
GND electrode	yes
temperature drift	± 15 % (+10 ... +70 °C)
sensitivity adjustment	potentiometer, 15 turn
output indicator	LED yellow

**electrical data**

voltage supply range +Vs	10 ... 30 VDC
current consumption max. (no load)	20 mA
output circuit	PNP make function (NO)
output current	< 200 mA
voltage drop Vd	< 1,5 VDC
switching frequency	< 50 Hz
short circuit protection	yes
reverse polarity protection	yes

**mechanical data**

type	rectangular
housing material	PBT
dimension	30 mm
housing length	75 mm
connection types	connector M12

**ambient conditions**

operating temperature	-25 ... +75 °C
protection class	IP 65

**field of application**

detection of non-conductive media	yes
fill level detection through container	yes
liquids in direct contact	no
object detection / bulk goods	yes

**photo**



**connection diagram**

