



### features

- adapter cable to connect LUMIMAX® Spot5W illuminations to VeriSens® M12/12-pin connector

### general data

manufacturer iiM AG

### mechanical data

cable length [m] 0,3 m

weight ≤ 15 g

### electrical data

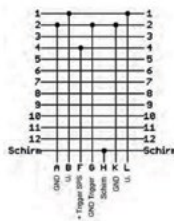
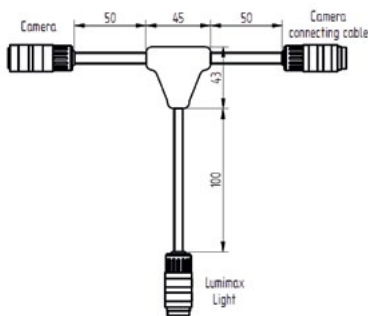
number of poles 12

connectors M12 female connector, screw lock  
M12 male connector, screw lock  
M16 male connector, screw lock

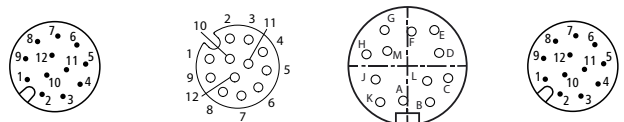
### environmental conditions

protection class IP 67

### dimension drawing



### pin assignment



VeriSens®	M12	M16	M12
Power (+18-30 VDC)	1	B,L: +Vs	Power (+18-30 VDC)
GND	2	A,K,G: GND, GND Trigger	GND
IN1 (Trigger)	3	C: -	IN1 (Trigger)
OUT1	4	F: Trigger SPS	OUT1
IN2	5	D: -	IN2
OUT2	6	E: -	OUT2
OUT3	7	H: -	OUT3
IN3	8	I: -	IN3
OUT4   RS485+	9	J: -	OUT4   RS485+
IN4	10		IN4
IN5	11		IN5
OUT5   RS485-	12		OUT4   RS485-