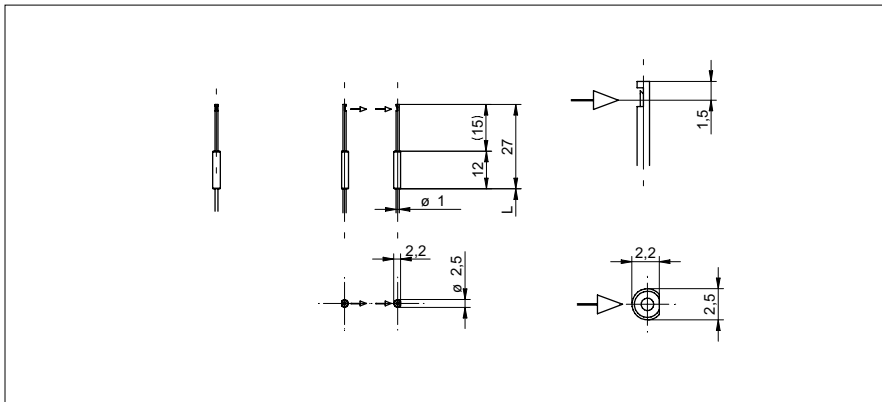


Through beam fiber optics

FSE 200F4Y00

dimension drawing



general data

particular characteristics	side view small sensing head
type	through beam sensor
actual range Sb	52 mm
response time / release time	0,05 ... 5 ms
type of head (fiber optic cable)	cylindrical smooth (radial)
width / diameter (head)	2,5 mm
height / length (head)	27 mm
material (head)	stainless steel
bending radius	1 mm
cable jacket diameter	1 mm
material cable jacket	PE
material (fiber optic cable)	plastic
length (fiber optic cable)	2000 mm
operating temperature	-30 ... +70 °C

Sensing distance/response time:
For the definitive sensing distance/response time please see table below "fitting fiber optic sensors".

photo



- Side view
- Small sensing head

fitting fiber optic sensors	actual range Sb (0,05 ms)	actual range Sb (0,25 ms)	actual range Sb (1 ms)	actual range Sb (5 ms)
FVDK 67 (standard version)	8 mm (HS)	-	35 mm (nL)	52 mm (HP)
FVDK 67 (2 adjustable outputs)	8 mm (HS)	-	35 mm (nL)	52 mm (HP)
FVDK 67 (master/slave)	8 mm (HS)	-	35 mm (nL)	52 mm (HP)
FVDK 66 (standard version)	-	11 mm (FT)	20 mm (nL)	-
FVDK 66 (master/slave)	-	11 mm (FT)	20 mm (nL)	-
FVDK 22	-	-	15 mm (nL)	-
FVDK 12	-	-	15 mm (nL)	-
FVDK 12 (fast version)	14 mm (HS)	-	-	-
FVDK 10	-	-	8 mm (nL)	-
FWDK 84 (analog output)	-	-	4 mm (nL)	-

operating modes
 HS High Speed
 FT fast
 nL Standard
 HP High Sensitivity