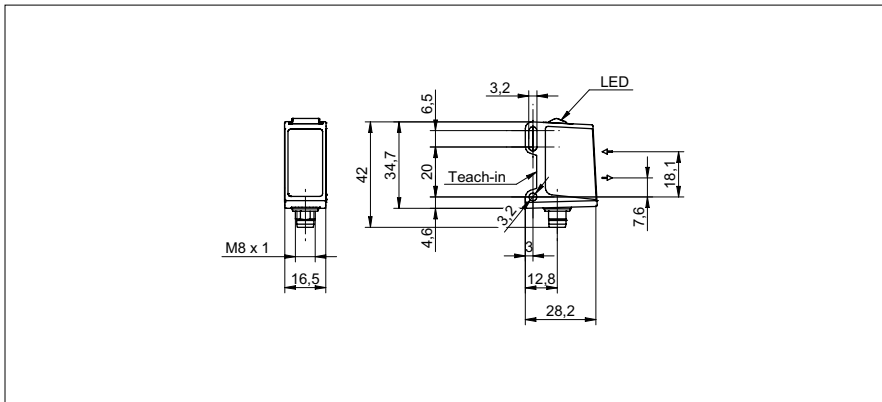


Diffuse sensors with background suppression

O300W.GL-11171770

dimension drawing



general data

type	background suppression
special type	Washdown design
light source	pulsed red laser diode
sensing distance Tw	30 ... 250 mm
sensing range Tb	15 ... 250 mm
repeat accuracy	< 0,1 mm at laser focus
power on indication	LED green
light indicator	LED yellow
sensing distance adjustment	Teach-in and IO-Link
laser class	1
distance to focus	80 mm
wave length	656 nm
suppression of reciprocal influence	yes
alignment optical axis	< 2°
approvals/certificates	Ecolab

electrical data

response time / release time	< 0,25 ms
voltage supply range +Vs	11 ... 30 VDC
current consumption max. (no load)	30 mA
current consumption typ.	25 mA
voltage drop Vd	< 2,5 VDC
output function	light / dark operate
output circuit	push-pull
output current	< 100 mA
short circuit protection	yes
reverse polarity protection	yes

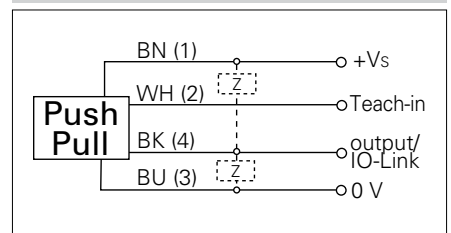
mechanical data

width / diameter	16,5 mm
height / length	34,7 mm
depth	28,2 mm
type	rectangular
housing material	stainless steel 1.4404 (V4A)
front (optics)	PMMA
connection types	connector M8 4 pin

photo



connection diagram



laser warning

CLASS 1 LASER PRODUCT

IEC 60825-1/2014
Complies with 21 CFR 1040.10 and 1040.11
except for deviations pursuant to laser
notice No. 50, dated June 24, 2007



Diffuse sensors with background suppression

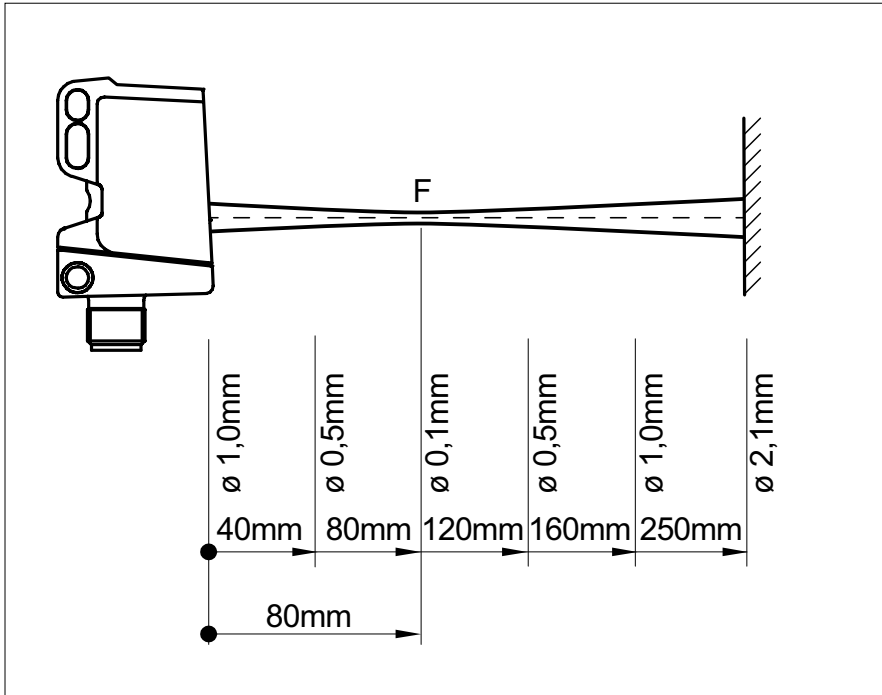
O300W.GL-11171770

ambient conditions

operating temperature	-10 ... +60 °C
protection class	IP 68/69K & proTect+

- qTeach
- IO-Link: V1.1, filter functions, qTeach lock adjustable

beam characteristic (typically)



sensing distance diagram

