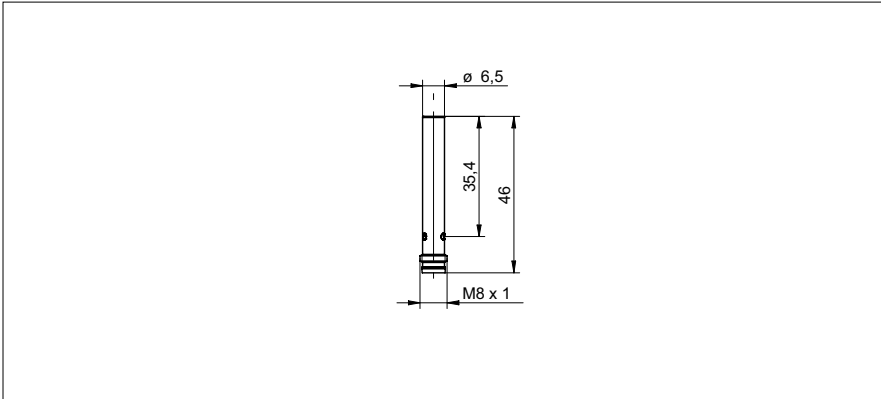


# Inductive distance measuring sensors

**IR06.D03L-11174153**

**dimension drawing**



**general data**

mounting type	quasi-flush
special type	linearized
measuring distance Sd	0 ... 3 mm
sensitivity	3,33 V/mm
resolution	< 0,003 mm (stat.) < 0,009 mm (dynam., S = 0 ... 2 mm) < 0,018 mm (dynam., S = 0 ... 3 mm)
repeat accuracy	< 0,01 mm
linearity error	± 15 µm (S = 0 ... 2 mm) ± 90 µm (S = 0 ... 3 mm)
temperature drift	± 2 % (Full Scale; S = 0 ... 2 mm) ± 6 % (Full Scale; S = 0 ... 3 mm)

**electrical data**

response time (factory characteristic)	< 2 ms
voltage supply range +Vs	12 ... 30 VDC
current consumption max. (no load)	10 mA
output circuit	voltage output
output signal	0 ... 10 VDC
load resistance	> 4000 Ohm
short circuit protection	yes
reverse polarity protection	yes

**mechanical data**

type	cylindrical smooth
housing material	stainless steel
dimension	6,5 mm
housing length	46 mm
connection types	connector M8

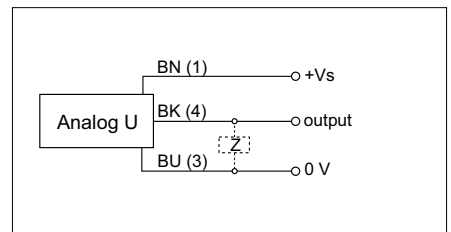
**ambient conditions**

operating temperature	-25 ... +75 °C
protection class	IP 67

**photo**



**connection diagram**



- linear analog output